

# SERVICE MANUAL

## SPLIT TYPE AIR CONDITIONER

## CASSETTE type (50Hz)

Models	Indoor unit	Outdoor unit
	AUG25AGB-W	AOG25ANAL
	AUG25ALD-W	
	AUG25RLD-W	AOG25RNAL
	AUY25AGB-W	AOY25ANAL
	AUY25ALD-W	
	AUY25RLD-W	AOY25RNAL
	AUT25ALD-W	AOT25ANAL
	AUT25RLD-W	AOT25RNAL
	AUG30AGB-W	AOG30AMBH
	AUG30ALD-W	AOG30AMBL
	AUG30RLD-W	AOG30RMBL
	AUY30AGB-W	AOY30AMBH
	AUY30ALD-W	AOY30AMBL
	AUY30RLD-W	AOY30RMBL
	AUT30ALD-W	AOT30AMBL
	AUT30RLD-W	AOT30RMBL

### C O N T E N T S

SPECIFICATIONS .....	1
OUTLINE AND DIMENSIONS .....	3
CIRCUIT DIAGRAM .....	5
REFRIGERANT SYSTEM DIAGRAM .....	11
INDOOR PRINTED CIRCUIT BOARD CIRCUIT DIAGRAM ....	14
OUTDOOR PRINTED CIRCUIT BOARD CIRCUIT DIAGRAM ..	17
DISASSEMBLY ILLUSTRATION .....	19
PARTS LIST .....	43

# S P E C I F I C A T I O N S

TYPE		COOLING			COOLING & HEATING	
MODEL	IN	AUG25AGB-W AUY25AGB-W	AUG25ALD-W AUY25ALD-W	AUT25ALD-W	AUG25RLD-W, AUY25RLD-W	AUT25RLD-W
	OUT	AOG25ANAL AOY25ANAL		AOT25ANAL	AOG25RNAL, AOY25RNAL	AOT25RNAL
COOLING CAPACITY	kW	7.00 - 7.10		7.10	6.95 - 7.05	7.05
HEATING CAPACITY	kW	—		—	7.75 - 8.00	8.00

POWER SOURCE	V	220 - 240	240	220 - 240	240
	Hz	50			
RUNNING CURRENT (A)	COOL	13.0 - 12.7	13.0	12.3 - 12.3	12.6
	HEAT	—	—	11.3 - 11.7	11.6
INPUT WATTS (kW)	COOL	2.66 - 2.75	2.85	2.60 - 2.70	2.80
	HEAT	—	—	2.38 - 2.53	2.55
E.E.R (kW/kW)	COOL	2.63 - 2.58	2.49	2.67 - 2.61	2.52
	HEAT	—	—	3.26 - 3.16	3.14
STARTING CURRENT	A	61	35	61	35
MOISTURE REMOVAL	ℓ/h	2.5			

## COMPRESSOR

TYPE	Hermetic type, 2 pole, Single phase, Induction motor				
CODE	2JS438D5CA02				
REFRIGERANT	R-22	g	2,050	2,100	

FAN SPEED (r.p.m.)	INDOOR	HIGH	490		
		MED	430		
		LOW	360		
	OUTDOOR	720			
AIR FLOW	INDOOR	m³/h	1,100		
	OUTDOOR		3,000		
DIMENSIONS H x W x D (mm)	NET	IN	246 x 830 x 830		
		GRILLE	35 x 940 x 940		
		OUT	700 x 900 x 350		
WEIGHT [NET/GROSS] (kg)		IN	34 / 44		
		OUT	67 / 79	70 / 82	
MAX PIPE LENGTH/HEIGHT		m	25 / 15		
REMOTE CONTROLLER TYPE		WIRELESS	WIRED		

TYPE		COOLING					COOLING & HEATING	
MODEL	IN	AUG30AGB-W, AUY30AGB-W		AUG30ALD-W, AUY30ALD-W		AUT30ALD-W	AUG30RLD-W, AUY30RLD-W	AUT30RLD-W
	OUT	AOG30AMBL AOY30AMBL	AOG30AMBH AOY30AMBH	AOG30AMBL AOY30AMBL	AOG30AMBH AOY30AMBH	AOT30AMBL	AOG30RMBL, AOY30RMBL	AOT30RMBL
COOLING CAPACITY	kW	8.60 - 8.80				8.80	8.30 - 8.60	8.60
HEATING CAPACITY	kW	—					9.30 - 9.50	9.50

POWER SOURCE	V	220 - 240	240	220 - 240	240
	Hz	50			
RUNNING CURRENT (A)	COOL	14.7 - 14.5	15.3	15.0 - 14.8	15.5
	HEAT	—		14.5 - 14.5	14.5
INPUT WATTS (kW)	COOL	3.20 - 3.30	3.40	3.25 - 3.35	3.50
	HEAT	—		3.15 - 3.30	3.27
E.E.R (kW/kW)	COOL	2.69 - 2.67	2.59	2.55 - 2.57	2.46
	HEAT	—		2.95 - 2.88	2.91
STARTING CURRENT	A	90	45	90	45
MOISTURE REMOVAL	ℓ/h	4.0			

#### COMPRESSOR

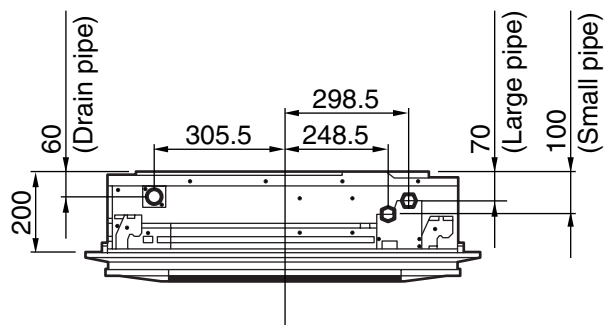
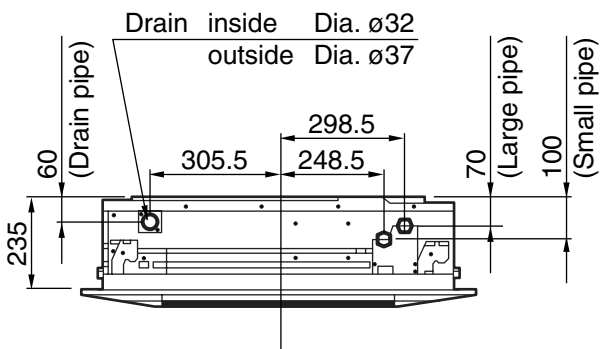
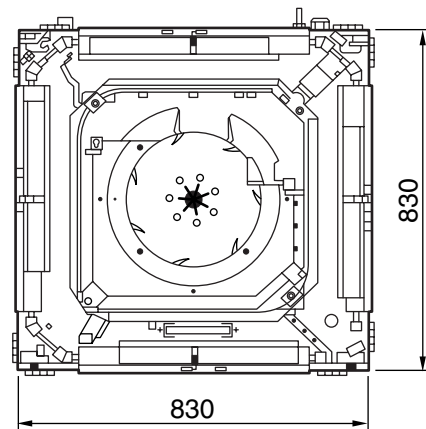
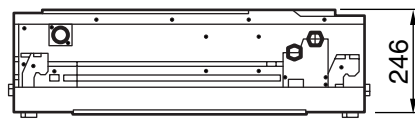
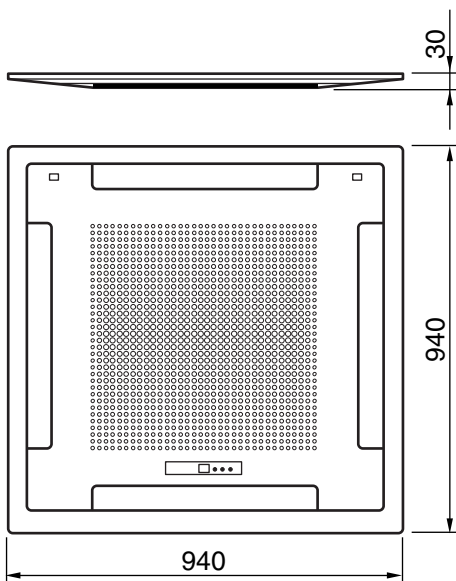
TYPE			Hermetic type, 2 pole, Single phase, Induction motor					
CODE			NH52VNHT	NHT52VAAT	NH52VNHT	NHT52VAAT	NH52VNHT	NH52VNHT
REFRIGERANT	R-22	g	2,400	2,500	2,400	2,500	2,400	2,700

FAN SPEED (r.p.m.)	INDOOR	HIGH	540					
		MED	480					
		LOW	390					
	OUTDOOR		730			760		
AIR FLOW	INDOOR	m <sup>3</sup> /h	1,200					
	OUTDOOR		3,320			3,450		
DIMENSIONS H x W x D (mm)	NET	IN	246 x 830 x 830					
		GRILLE	35 x 940 x 940					
		OUT	900 x 900 x 350					
WEIGHT [NET/GROSS] (kg)	IN	34 / 44						
	OUT	79 / 91			80 / 92			
MAX PIPE LENGTH/HEIGHT	m	30 / 15			25 / 15			
REMOTE CONTROLLER TYPE		WIRELESS			WIRED			

# OUTLINE AND DIMENSIONS

Models : AUG25AGB-W, AUG25ALD-W, AUG25RLD-W  
 AUY25AGB-W, AUY25ALD-W, AUY25RLD-W  
 AUT25ALD-W, AUT25RLD-W  
 AUG30AGB-W, AUG30ALD-W, AUG30RLD-W  
 AUY30AGB-W, AUY30ALD-W, AUY30RLD-W  
 AUT30ALD-W, AUT30RLD-W

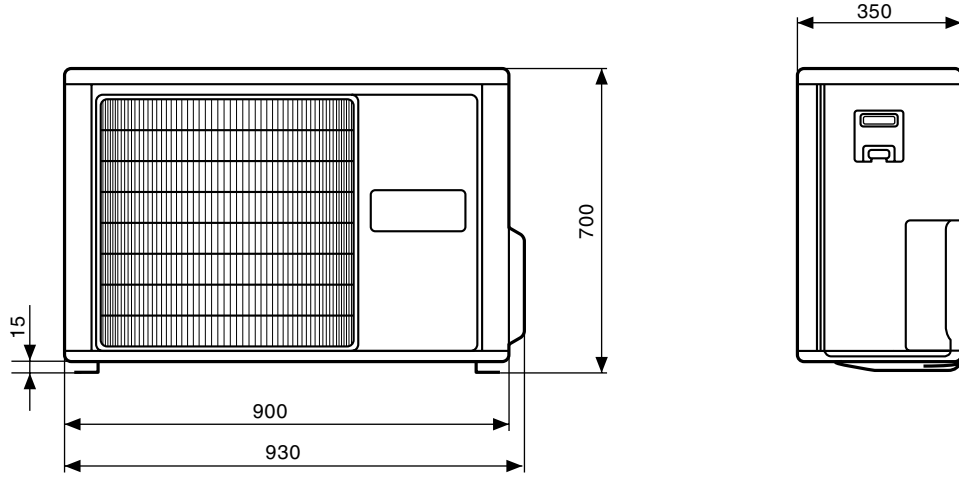
Unit : (mm)



Unit : (mm)

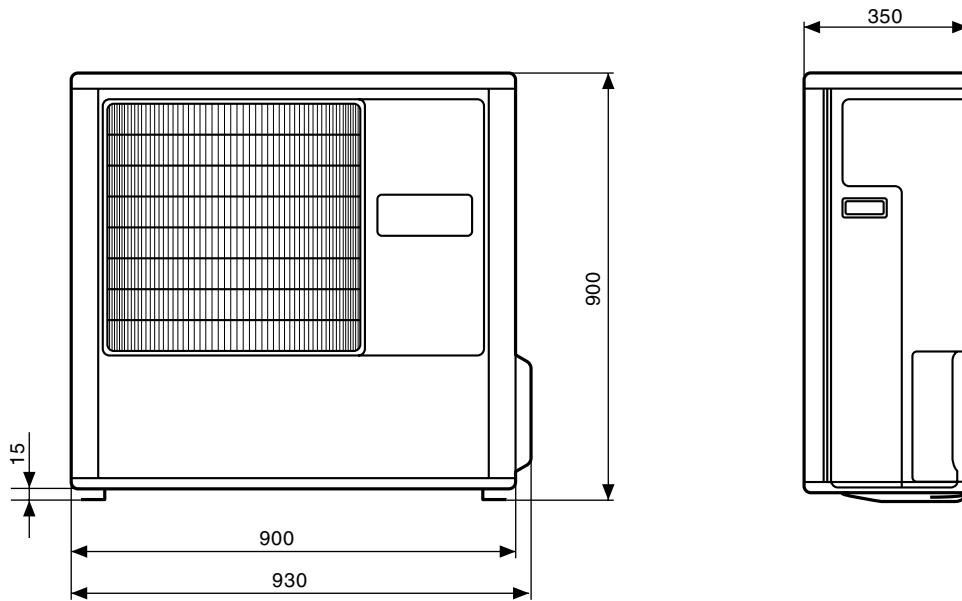
**Models : AOG25ANAL, AOG25RNAL  
AOY25ANAL, AOY25RNAL  
AOT25ANAL, AOT25RNAL**

---



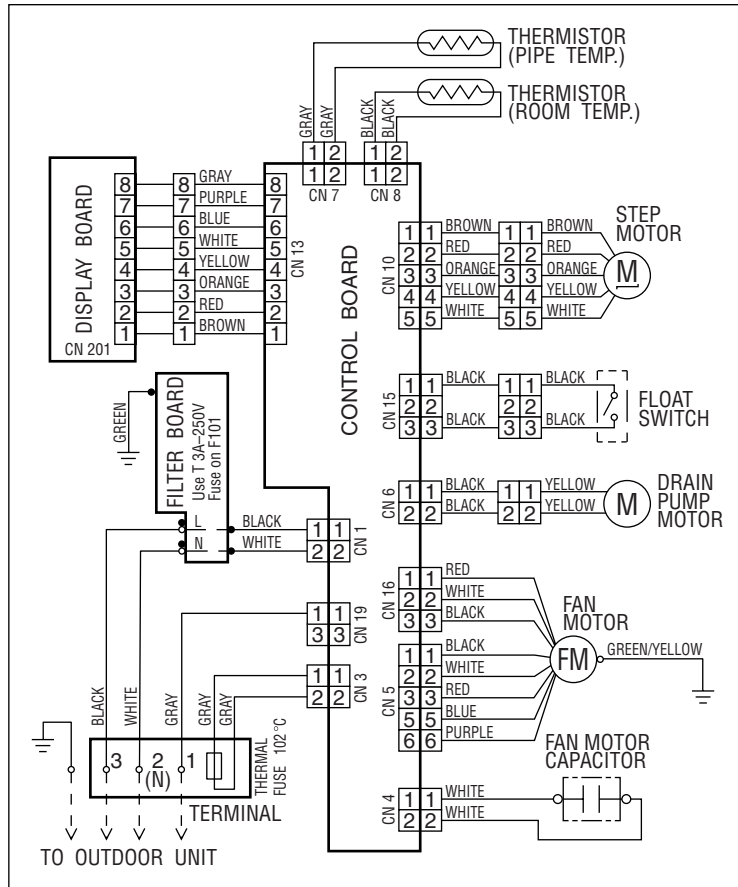
**Models : AOG30AMBH, AOG30RMBL  
AOY30AMBH, AOY30RMBL  
AOG30AMBL, AOT30RMBL  
AOY30AMBL,  
AOT30AMBL**

---

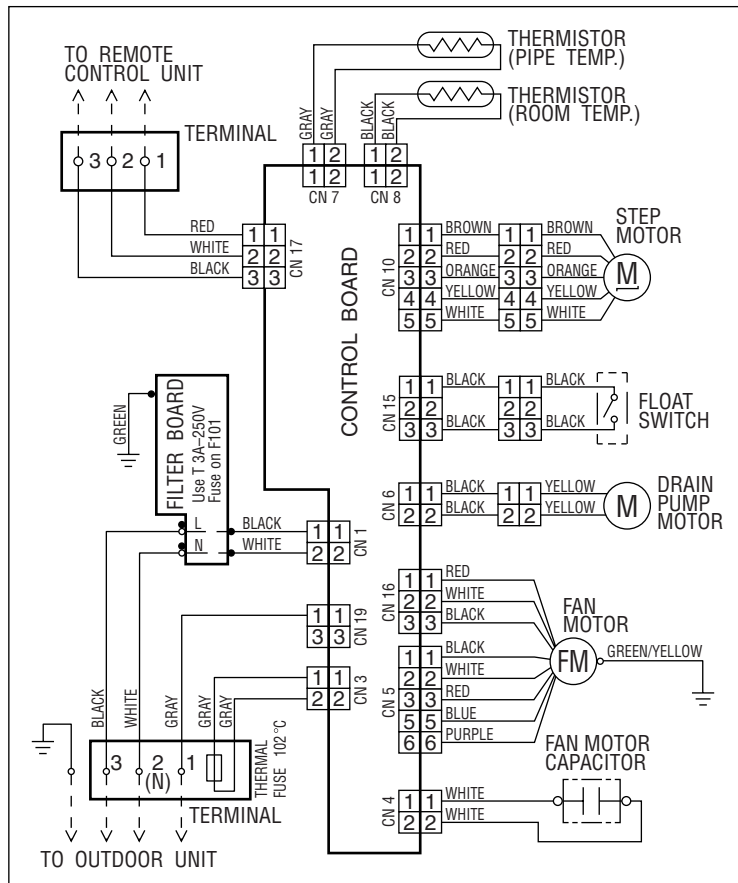


# CIRCUIT DIAGRAM

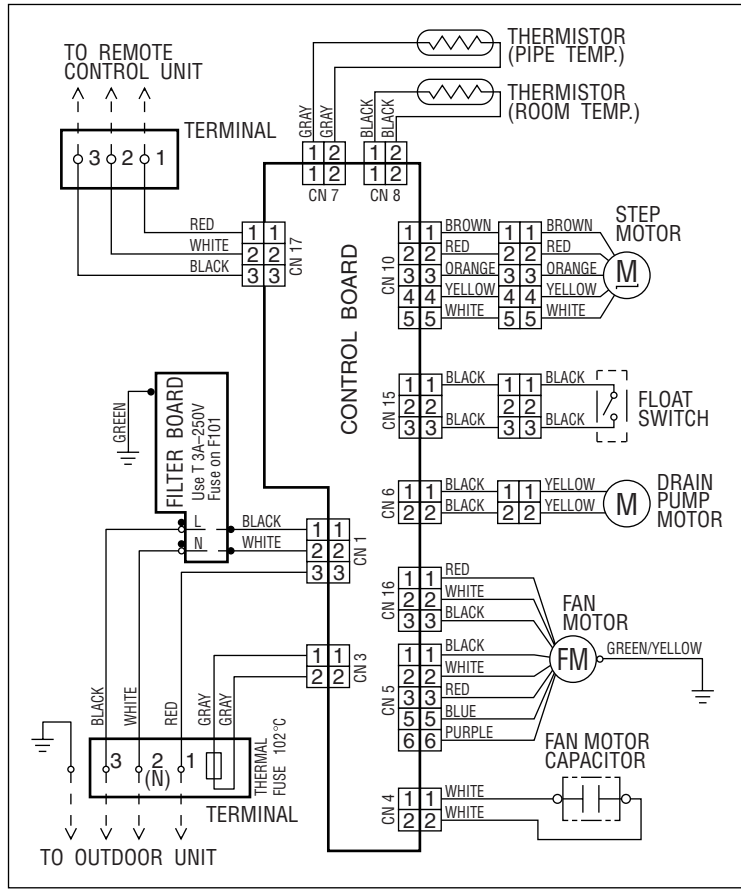
Models : AUG25AGB-W  
 AUG30AGB-W  
 AUY25AGB-W  
 AUY30AGB-W



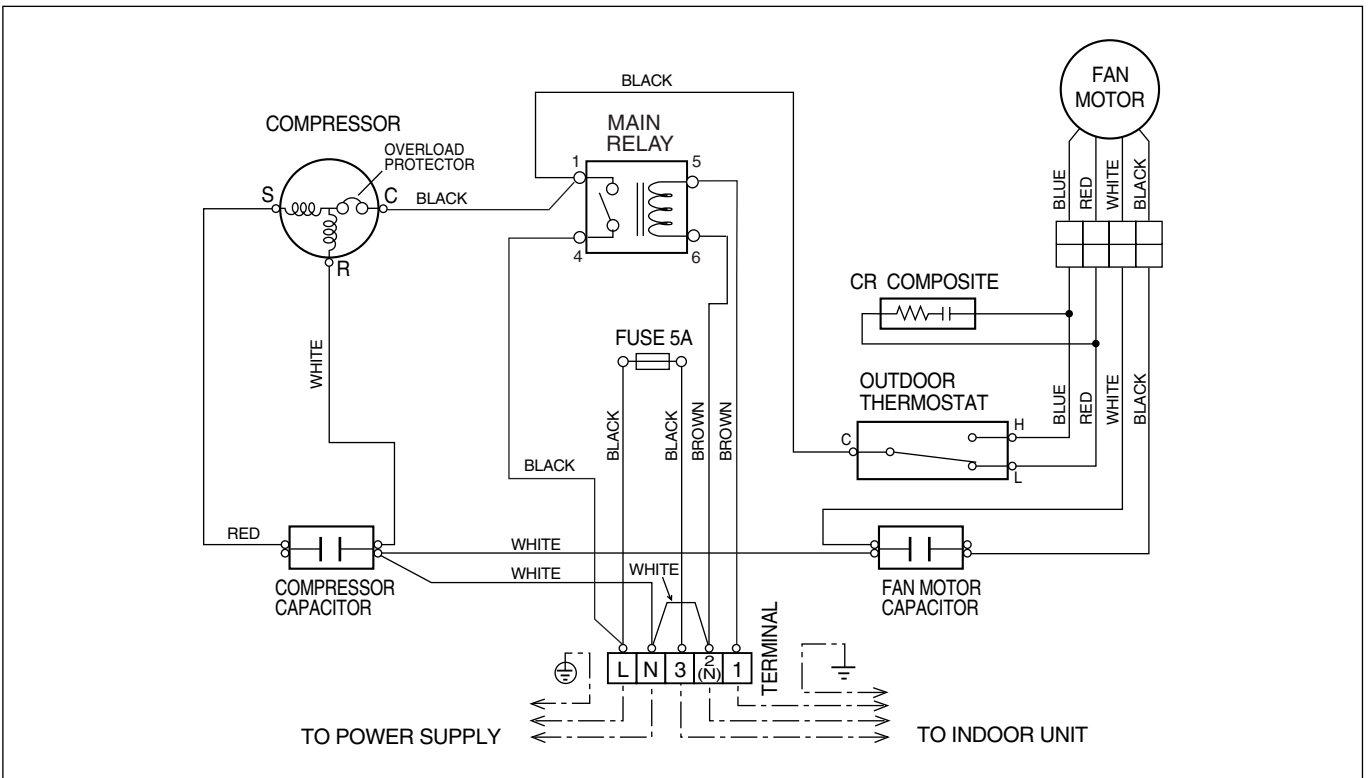
Models : AUG25ALD-W  
 AUG30ALD-W  
 AUY25ALD-W  
 AUY30ALD-W  
 AUT25ALD-W  
 AUT30ALD-W



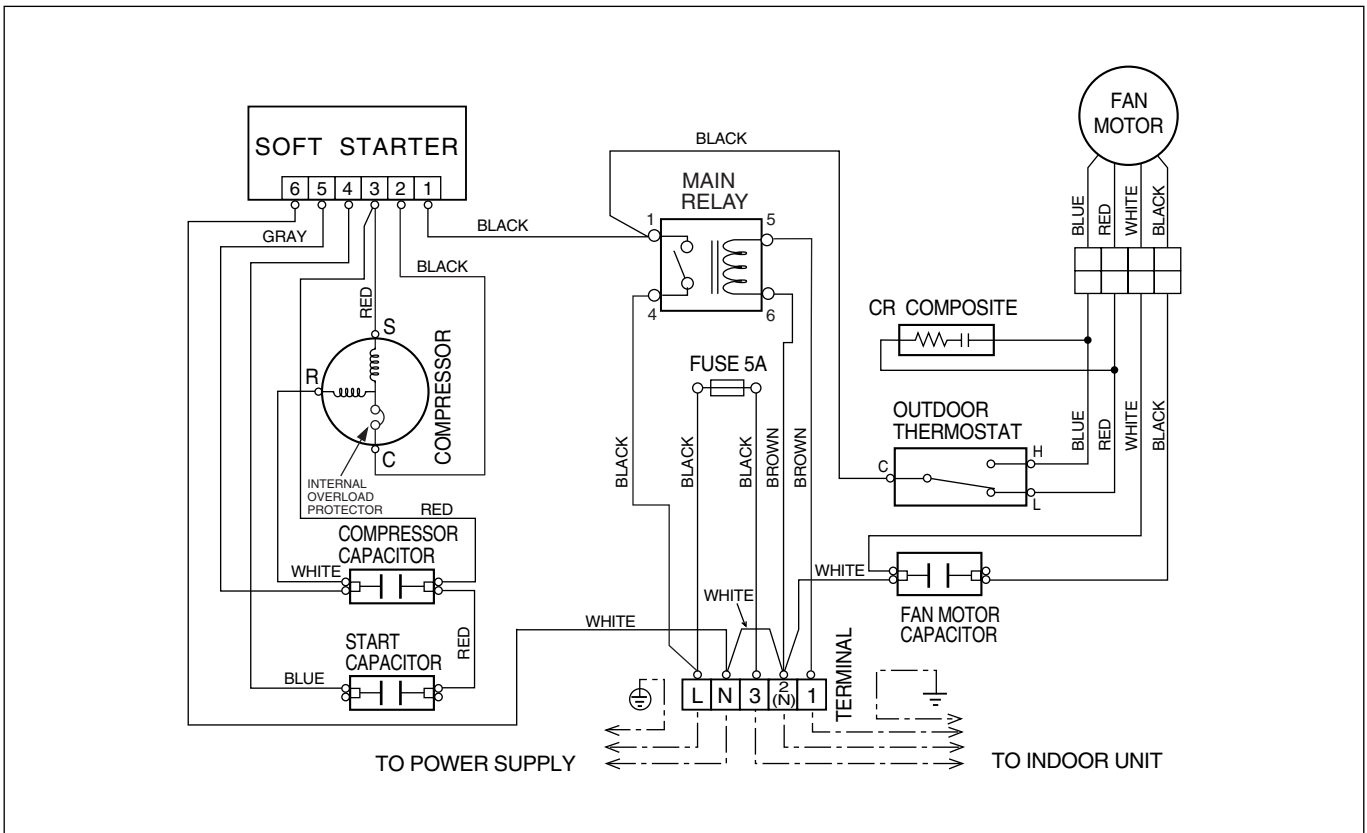
**Models :** AUG25RLD-W  
 AUG30RLD-W  
 AUY25RLD-W  
 AUY30RLD-W  
 AUT25RLD-W  
 AUT30RLD-W



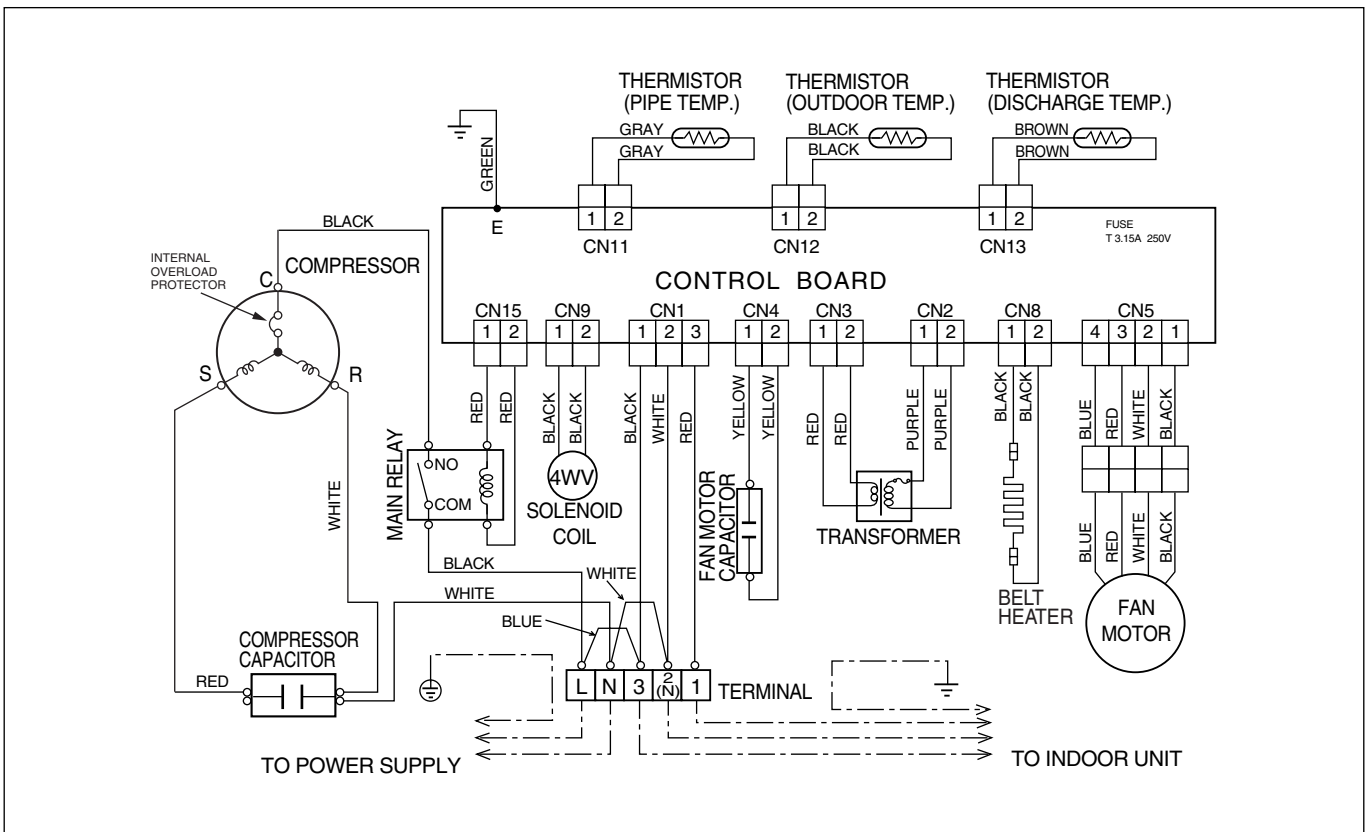
**Models :** AOG25ANAL, AOY25ANAL



**Model : AOT25ANAL**

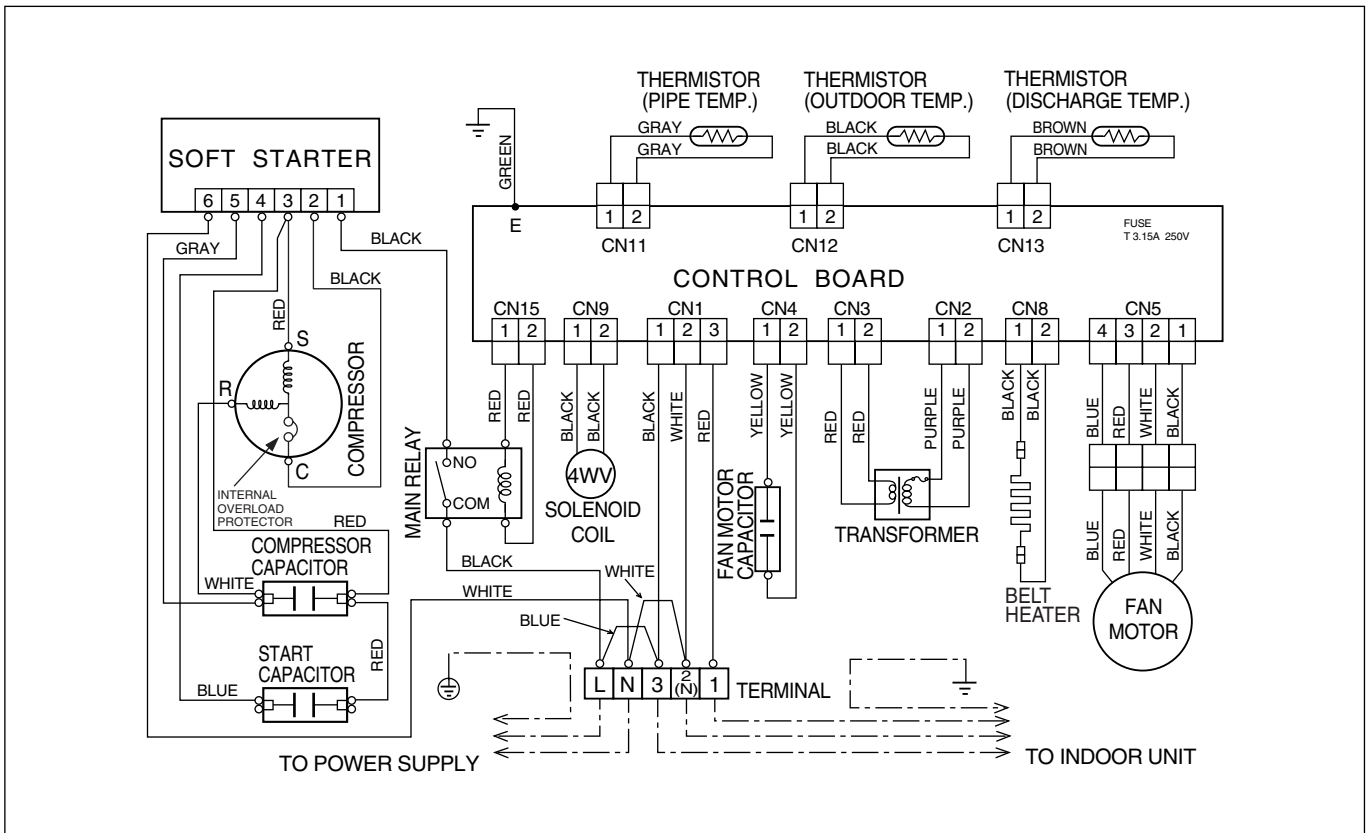


**Models : AOG25RNAL, AOY25RNAL**

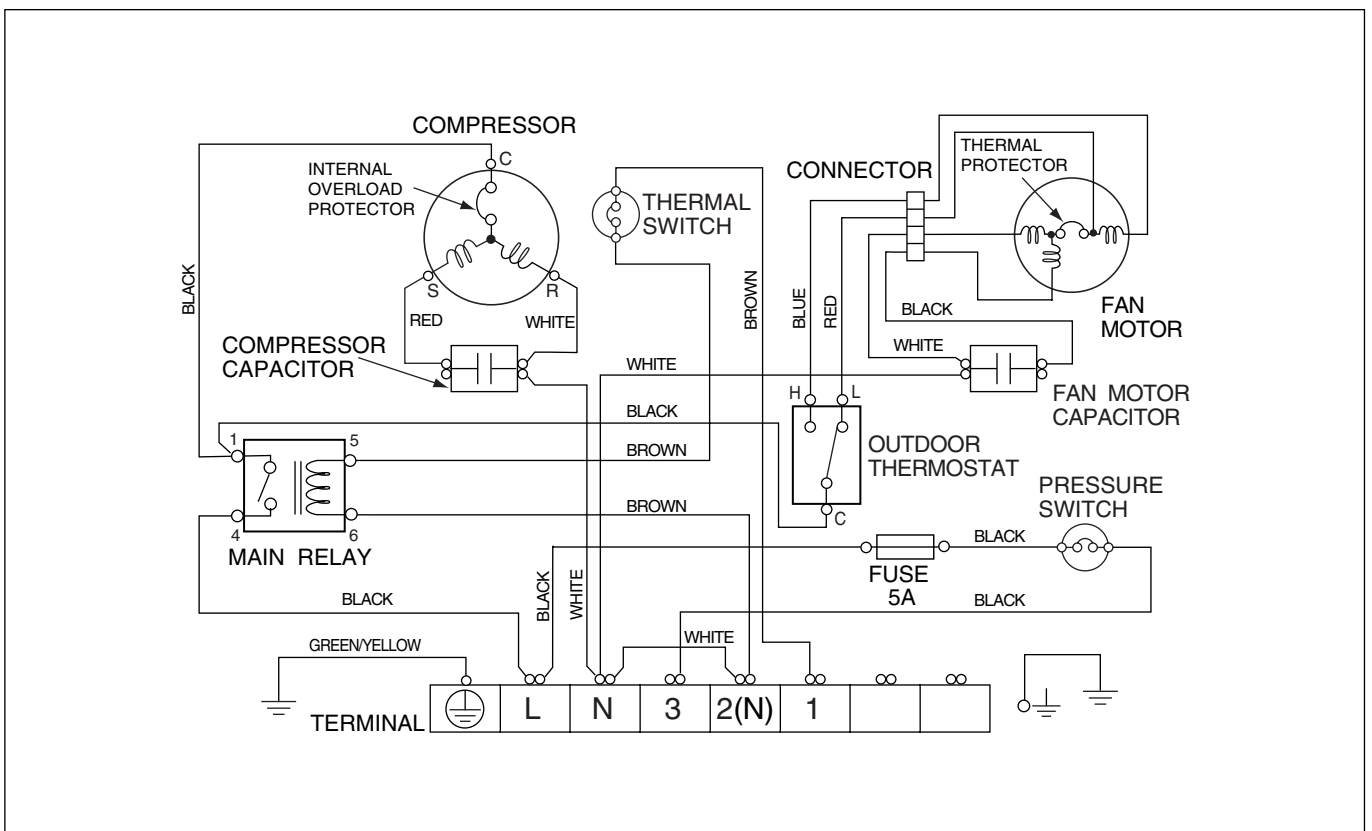




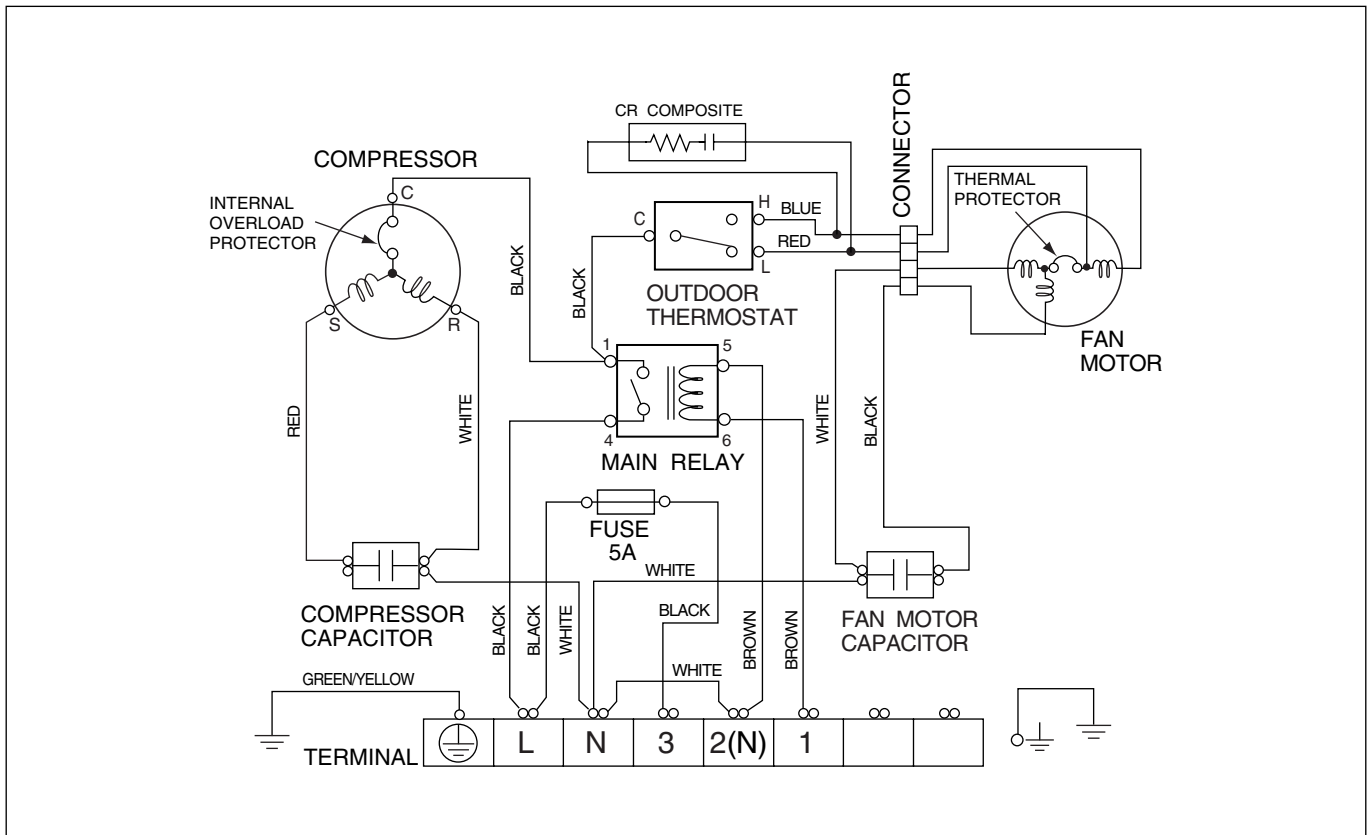
**Model : AOT25RNAL**



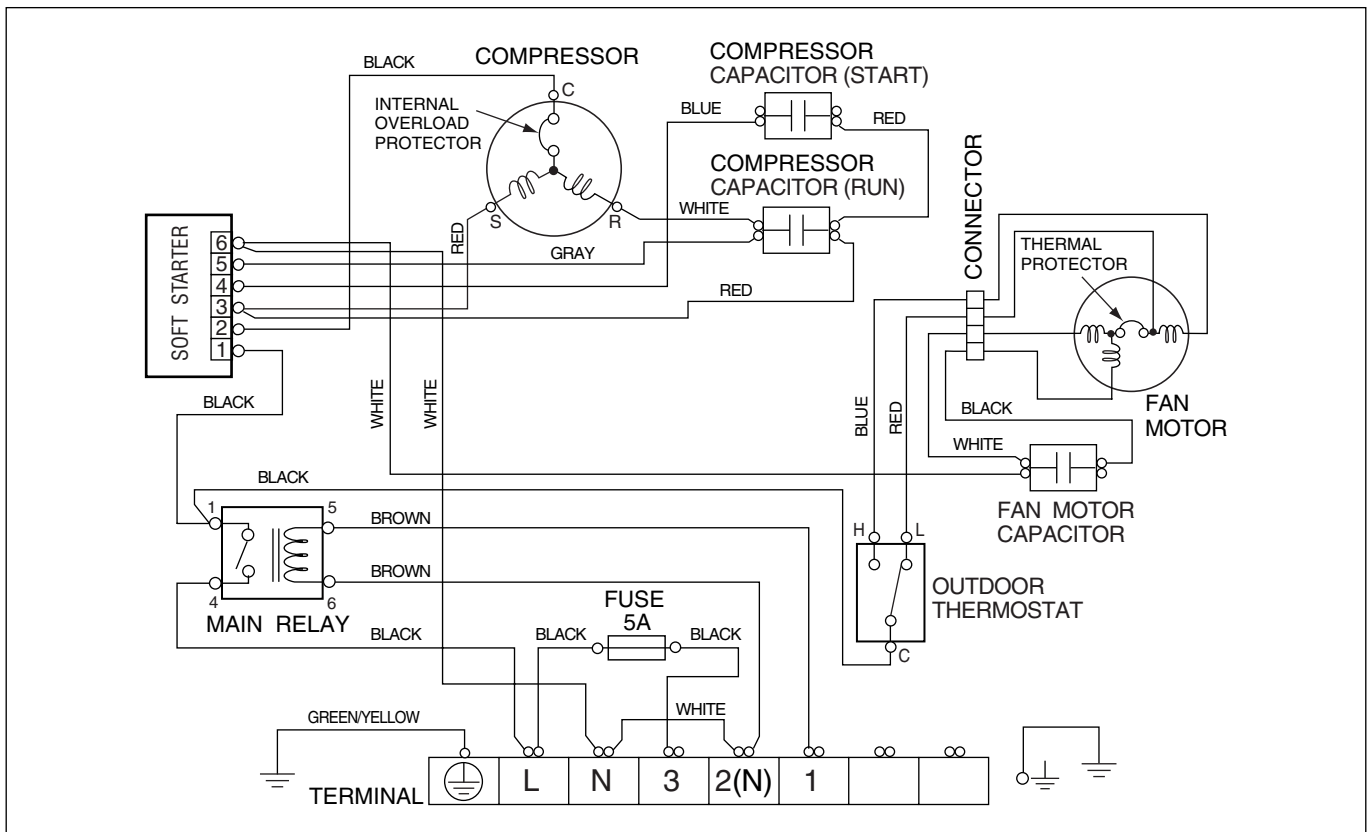
**Models : AOG30AMBH, AOY30AMBH**



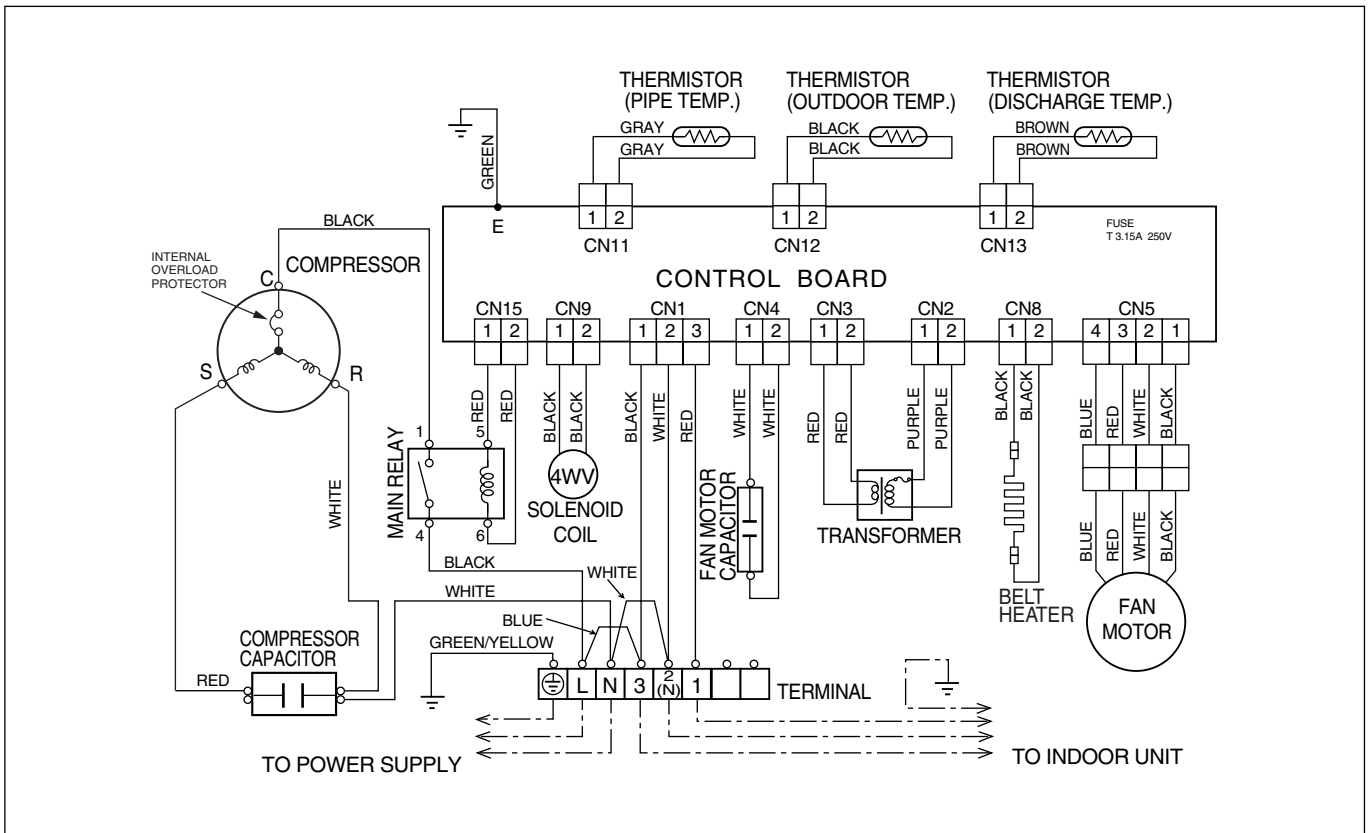
**Models : AOG30AMBL, AOY30AMBL**



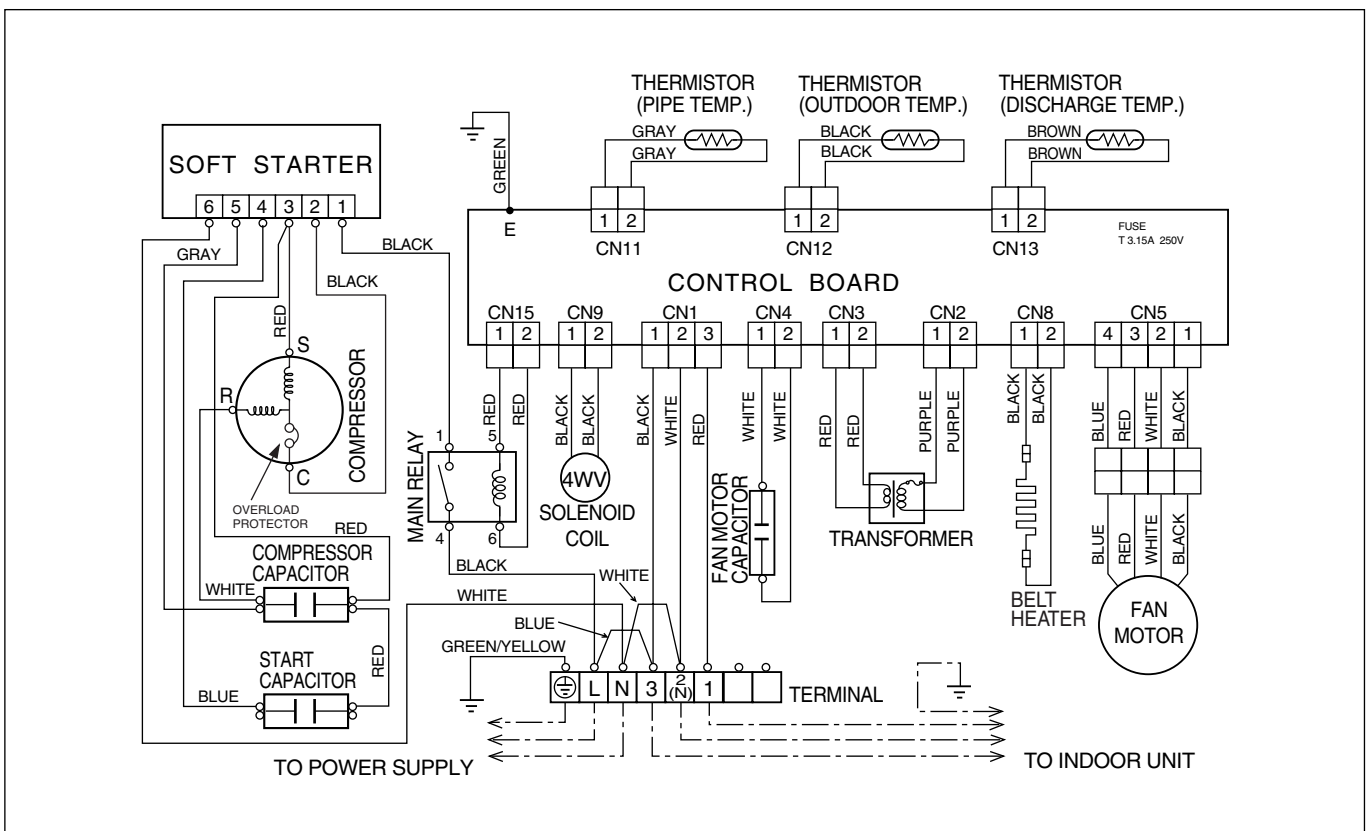
**Model : AOT30AMBL**



**Models : AOG30RMBL, AOY30RMBL**

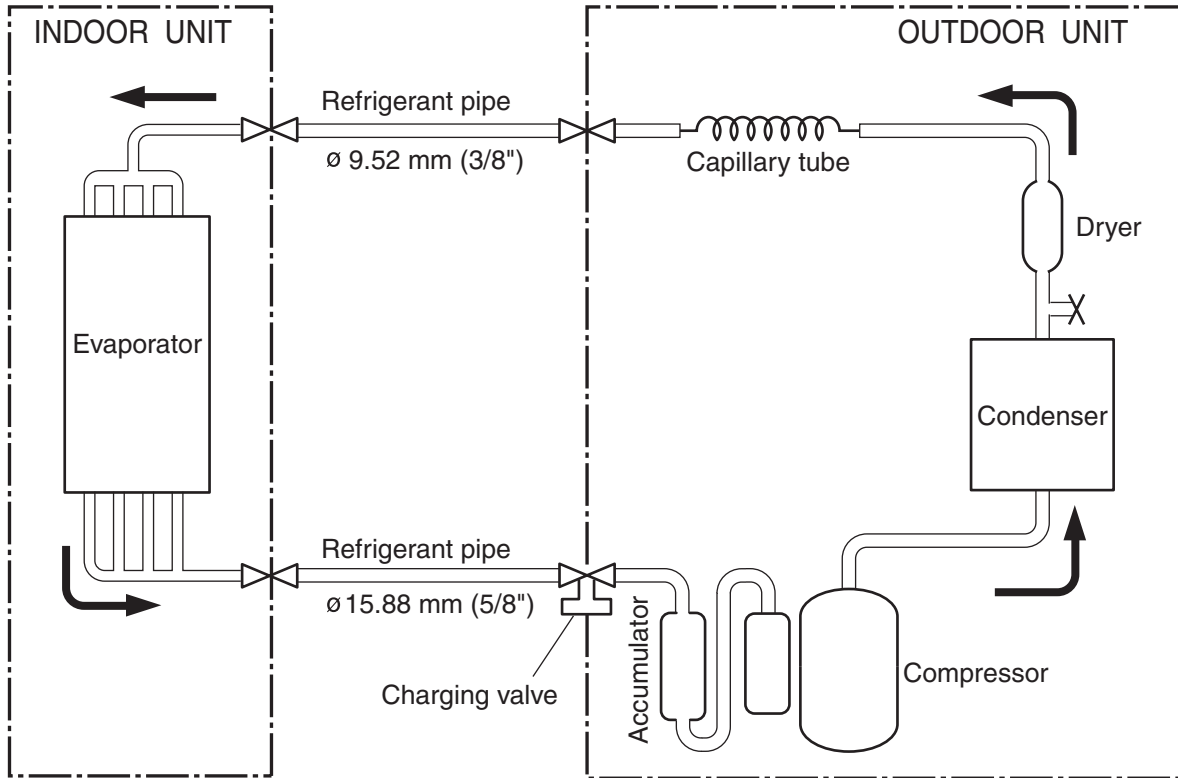


**Model : AOT30RMBL**

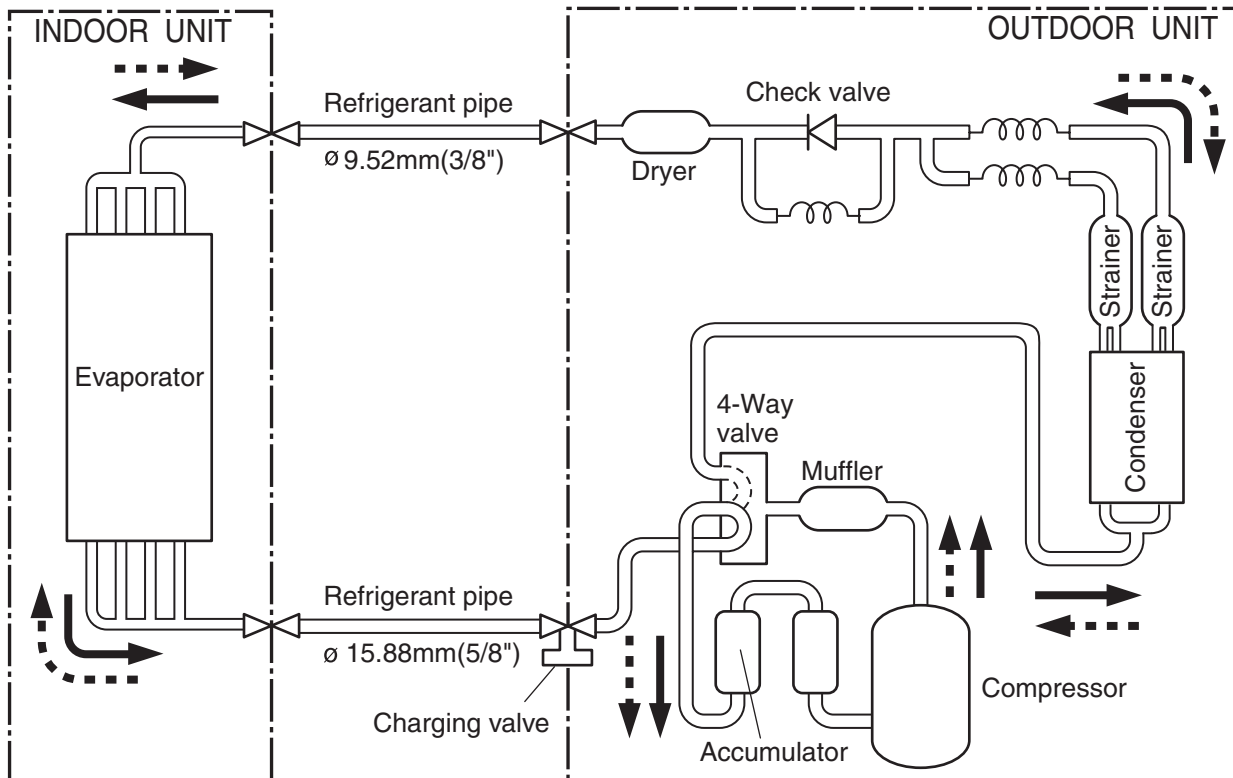


# REFRIGERANT SYSTEM DIAGRAM

Models : AUG25AGB-W / AOG25ANAL, AUG25ALD-W / AOG25ANAL  
 AUY25AGB-W / AOY25ANAL, AUY25ALD-W / AOY25ANAL  
 AUT25ALD-W / AOT25ANAL

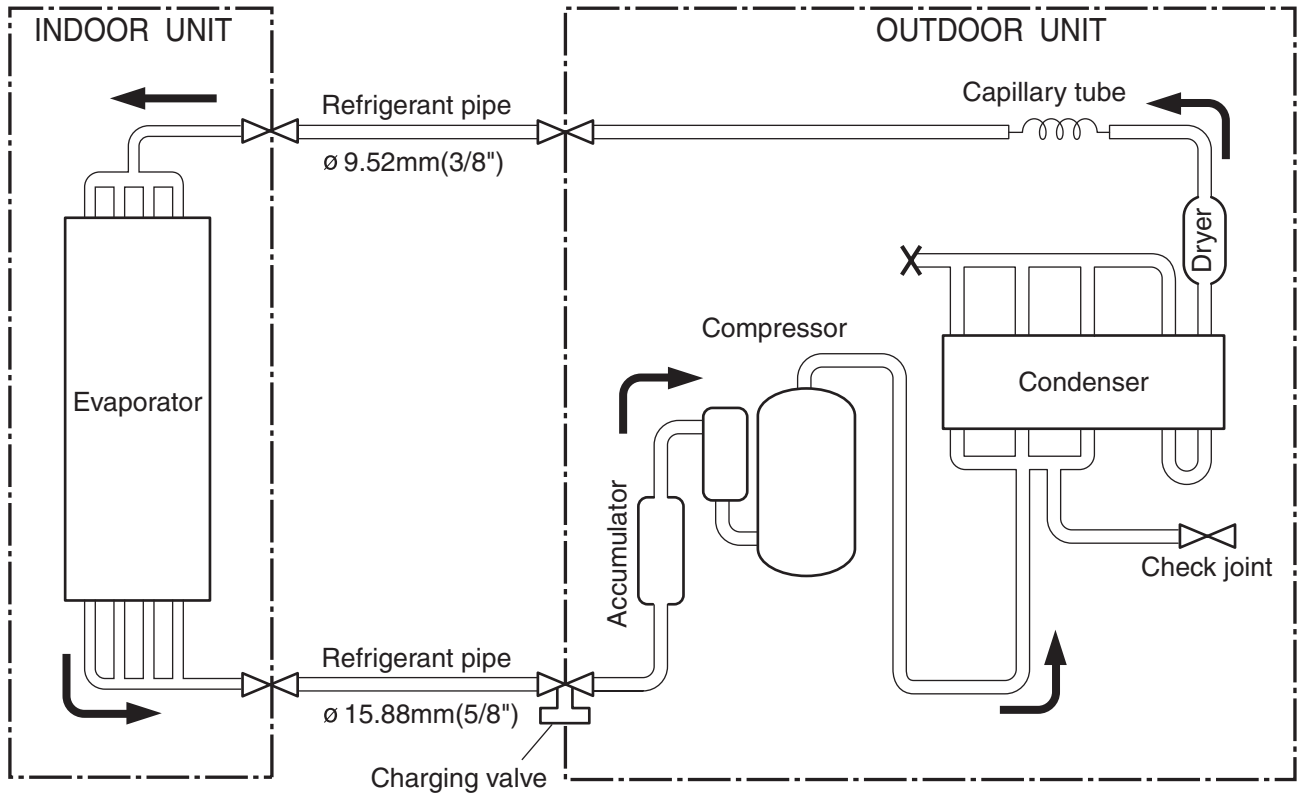


Models : AUG25RLD-W / AOG25RNAL  
 AUY25RLD-W / AOY25RNAL  
 AUT25RLD-W / AOT25RNAL

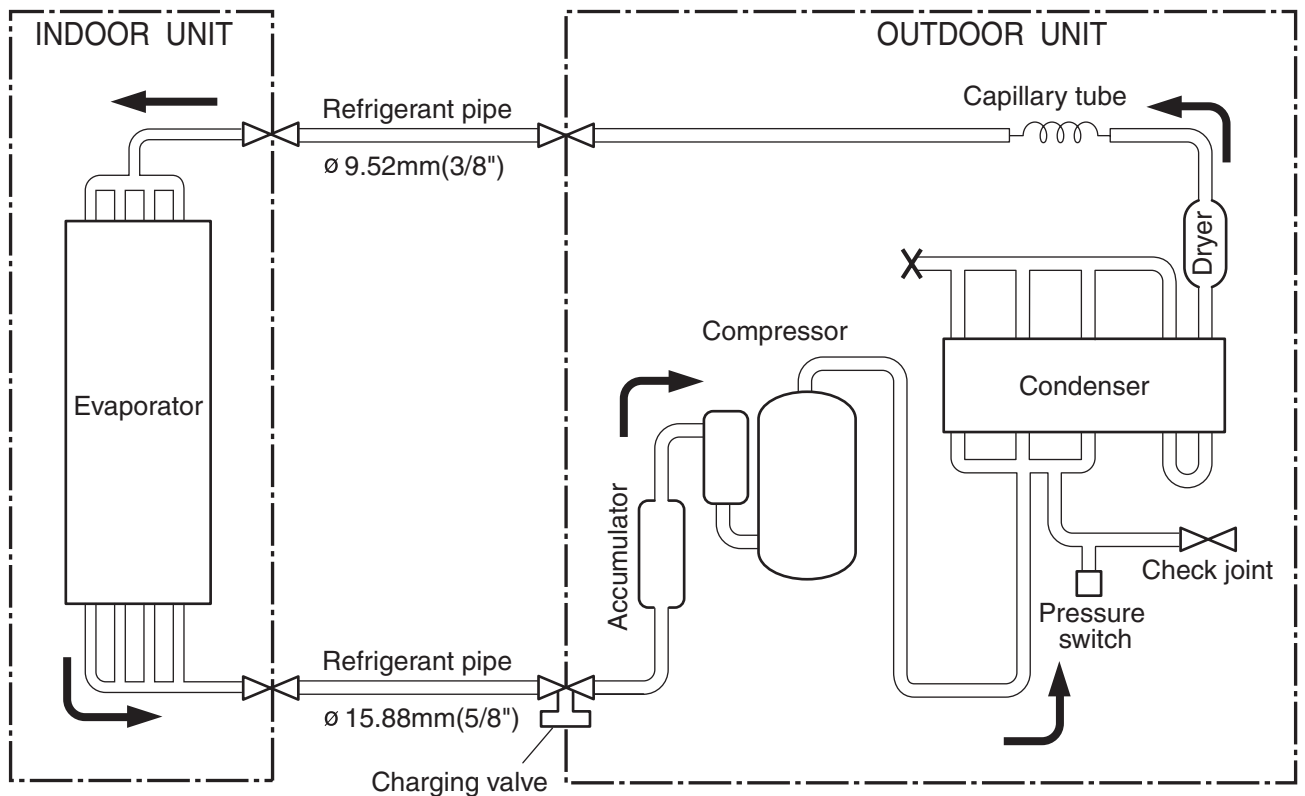


- Cooling
- - - -> Heating
- ⊗ : Flare coupling

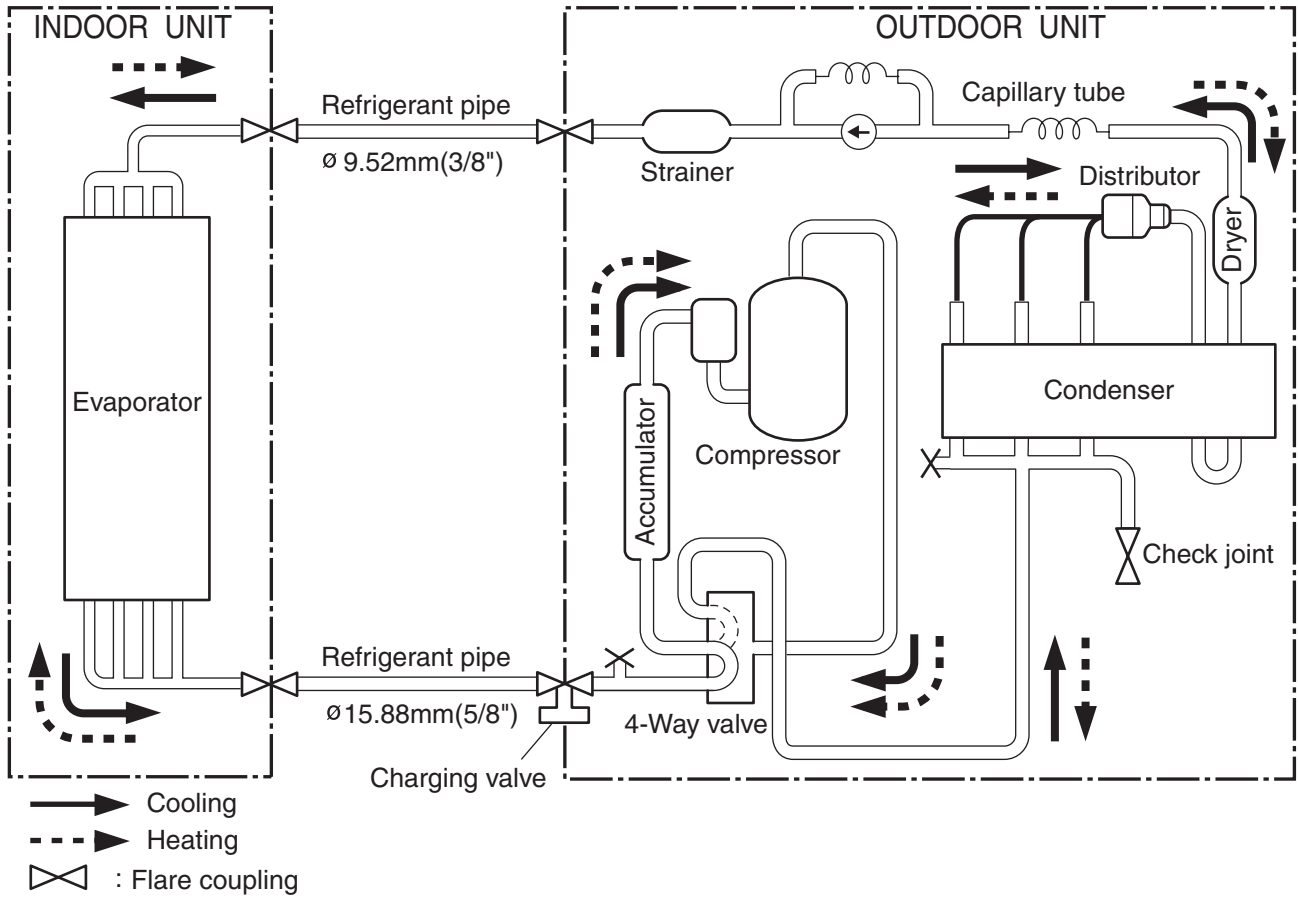
**Models : AUG30AGB-W / AOG30AMBL, AUG30ALD-W / AOG30AMBL  
 AUY30AGB-W / AOY30AMBL, AUY30ALD-W / AOY30AMBL  
 AUT30ALD-W / AOT30AMBL**



**Models : AUG30ALD-W / AOG30AMBH  
 AUY30ALD-W / AOY30AMBH**



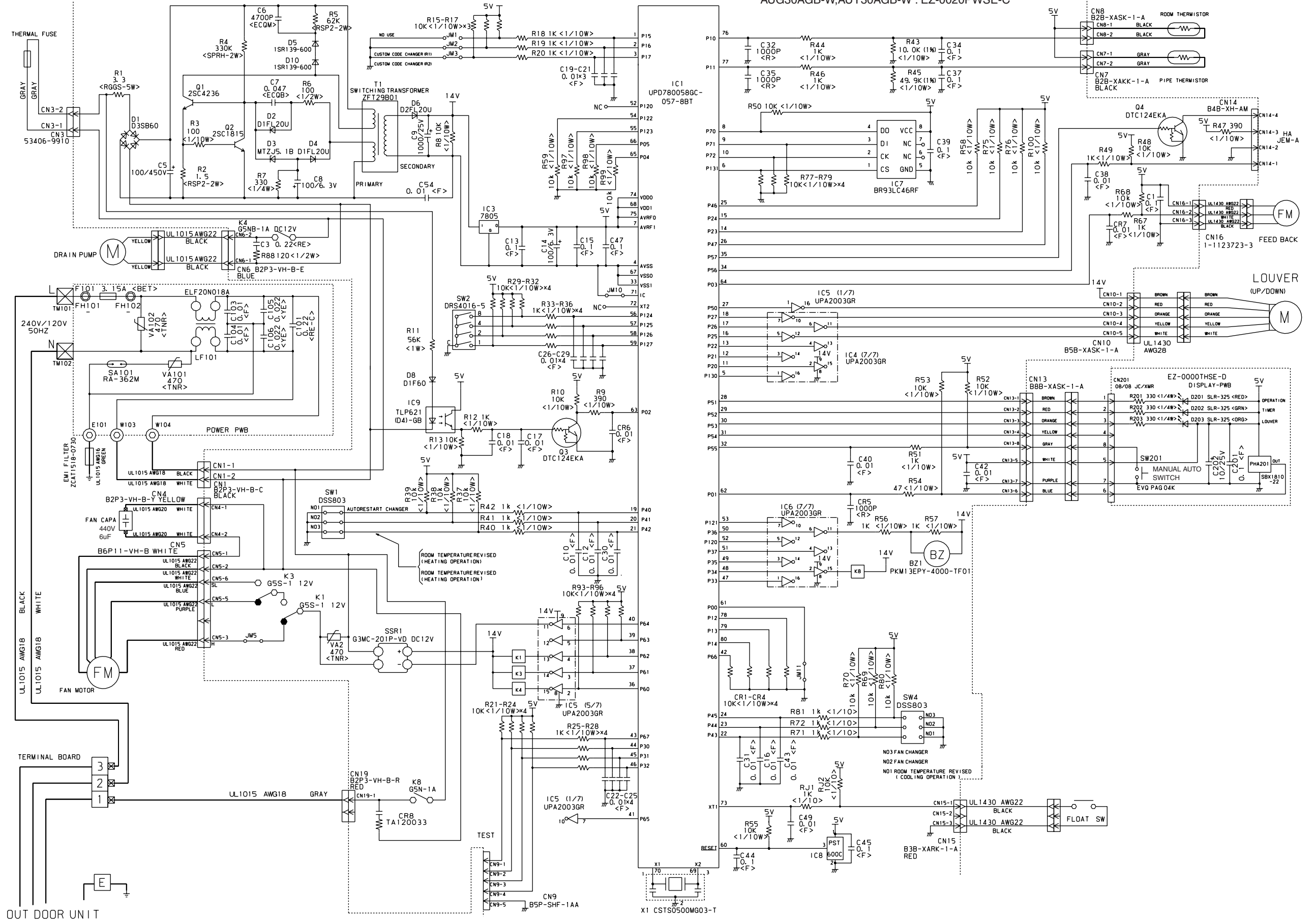
Models : AUG30RLD-W / AOG30RMBL  
 AUY30RLD-W / AOY30RMBL  
 AUT30RLD-W / AOT30RMBL



# INDOOR PRINTED CIRCUIT BOARD CIRCUIT DIAGRAM

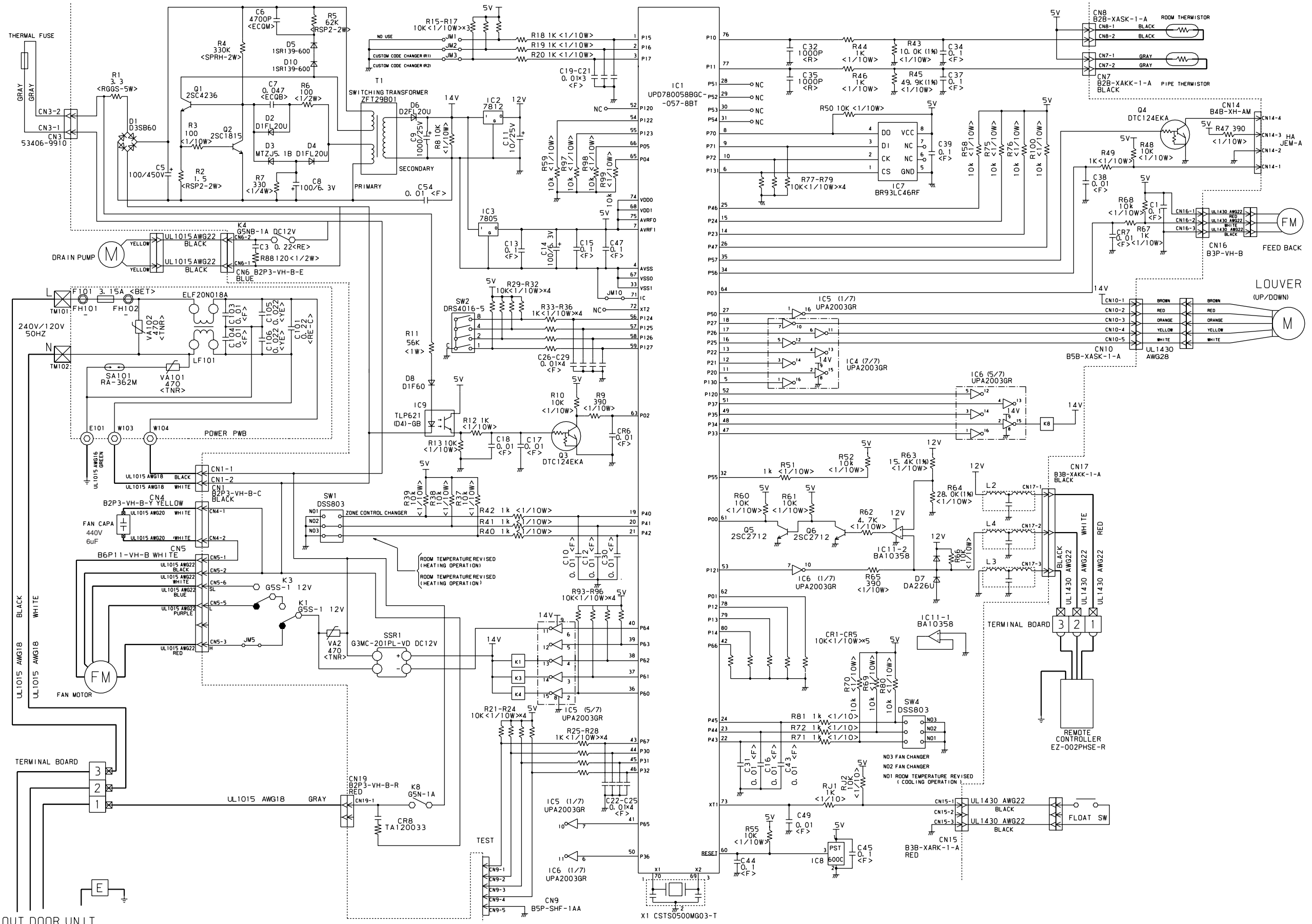
Models : AU □ 25AGB-W  
AU □ 30AGB-W

CONTROLLER PCB ASSEMBLY ( MAIN PCB )  
AUG25AGB-W, AUY25AGB-W : EZ-00209WSE-C  
AUG30AGB-W, AUY30AGB-W : EZ-0020PWSE-C



Models : AU □ 25ALD-W  
AU □ 30ALD-W

CONTROLLER PCB ASSEMBLY ( MAIN PCB )  
AUG25ALD-W,AUY25ALD-W,AUT25ALD-W : EZ-0033WSE-C  
AUG30ALD-W,AUY30ALD-W,AUT30ALD-W : EZ-0020MWSE-C

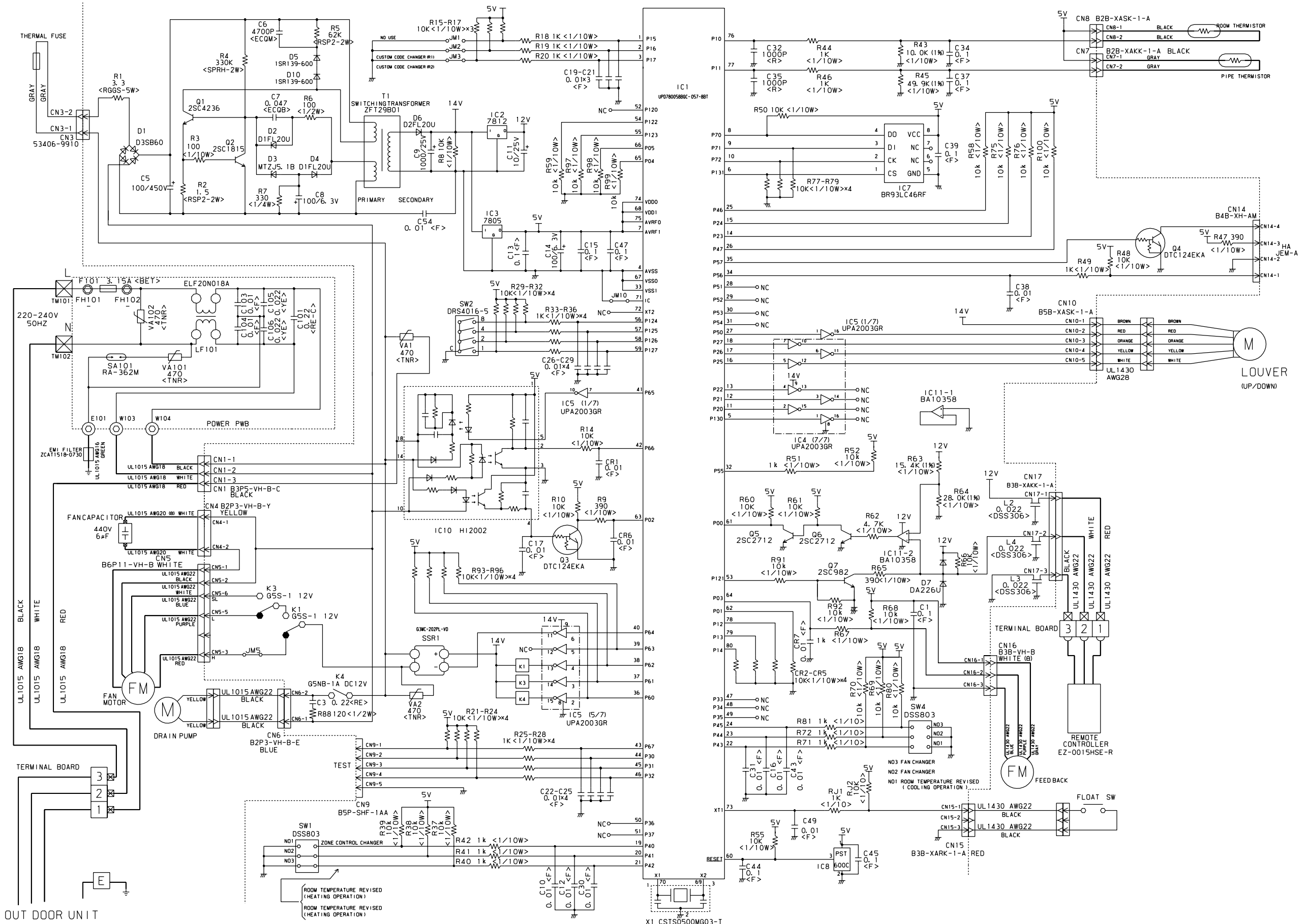


OUT DOOR UNIT



Models : AU □ 25RLD-W  
 AU □ 30RLD-W

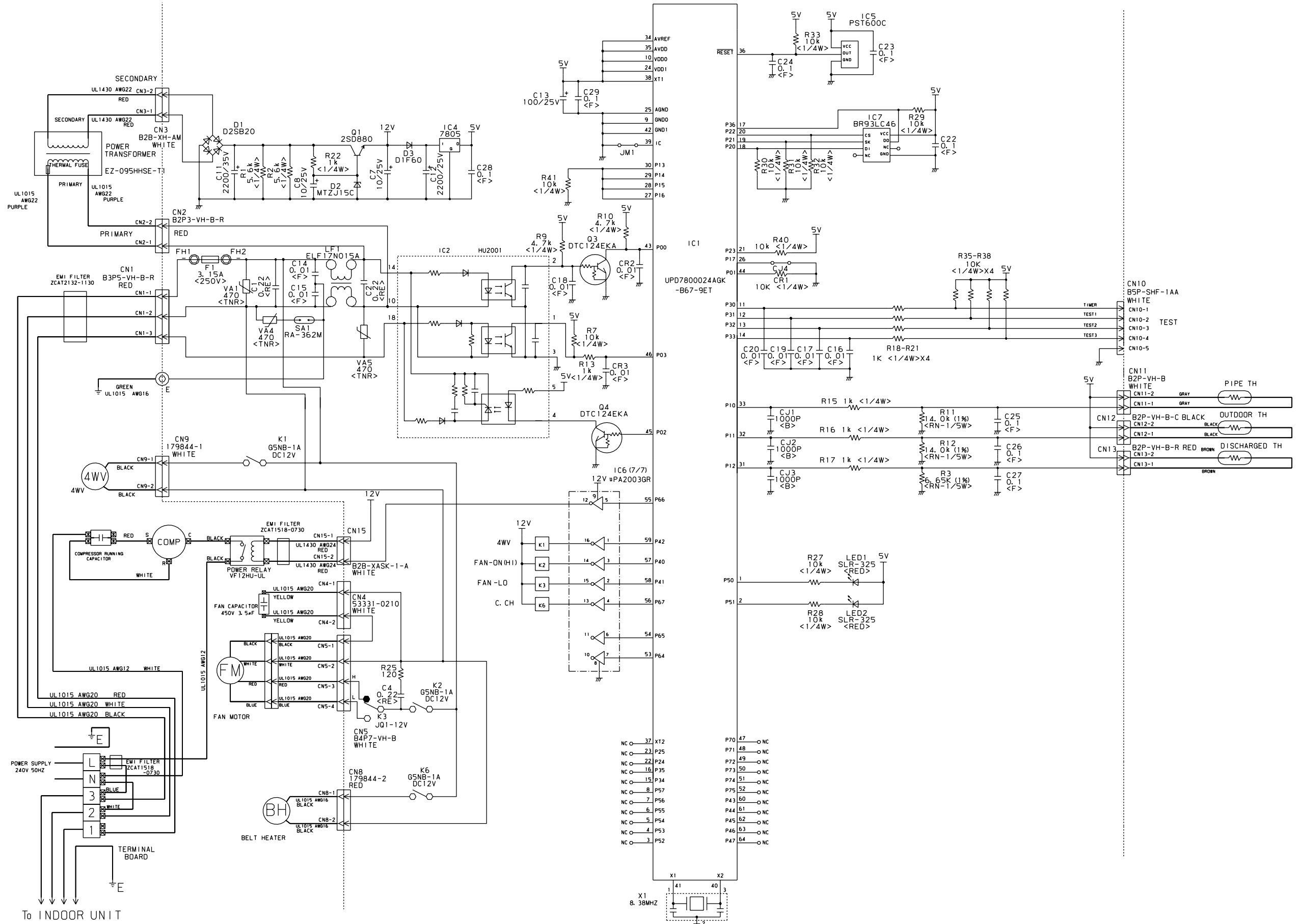
CONTROLLER PCB ASSEMBLY ( MAIN PCB )  
 AUG25RLD-W,AUY25RLD-W,AUT25RLD-W : EZ-00222HSE-C  
 AUG30RLD-W,AUY30RLD-W,AUT30RLD-W : EZ-00223HSE-C



# OUTDOOR PRINTED CIRCUIT BOARD CIRCUIT DIAGRAM

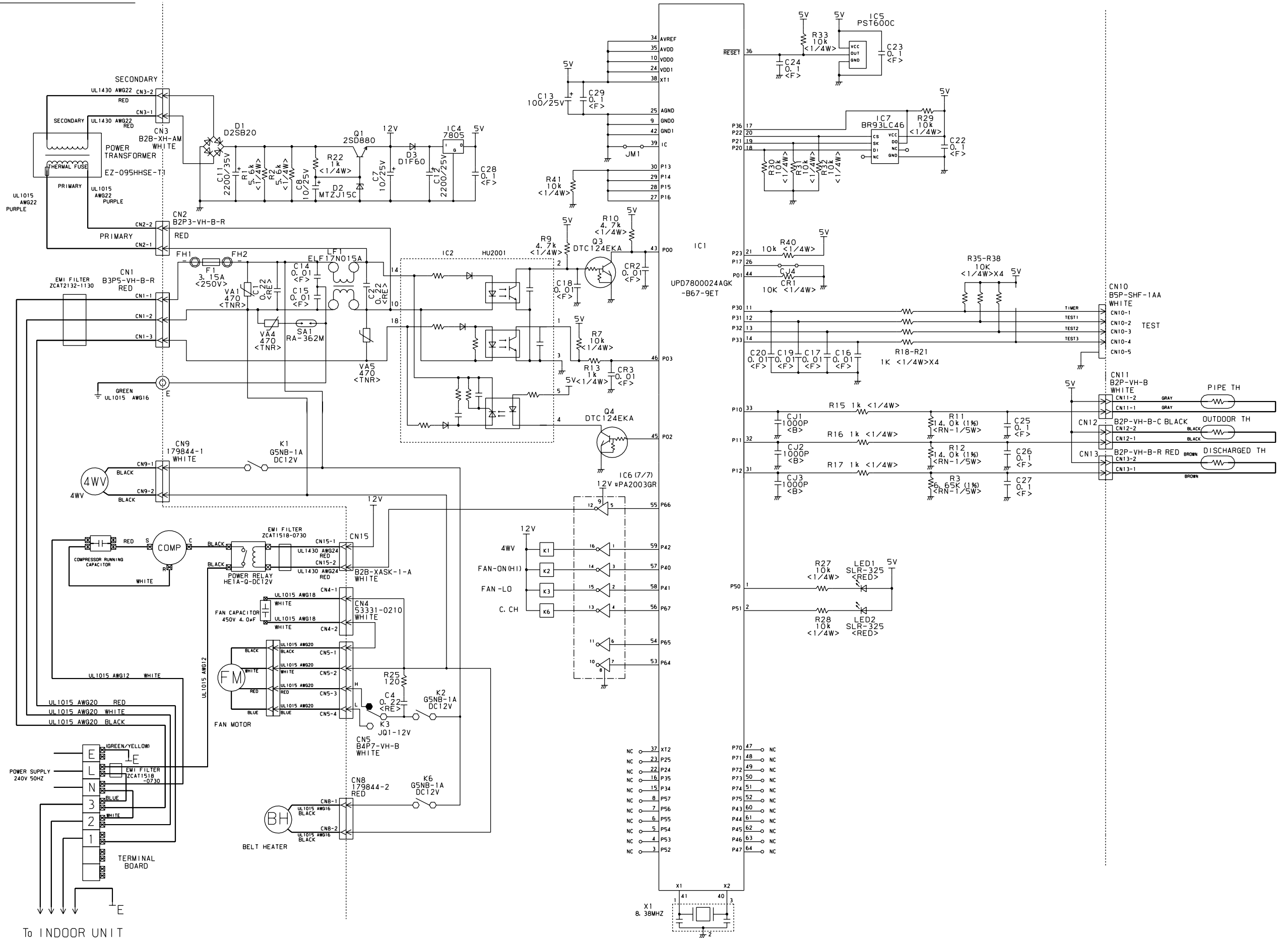
Models : AO □ 25RNAL

CONTROLLER PCB ASSEMBLY ( MAIN PCB )  
AOG25RNAL,AOY25RNAL,AOT25RNAL : EZ-0028HUE-C



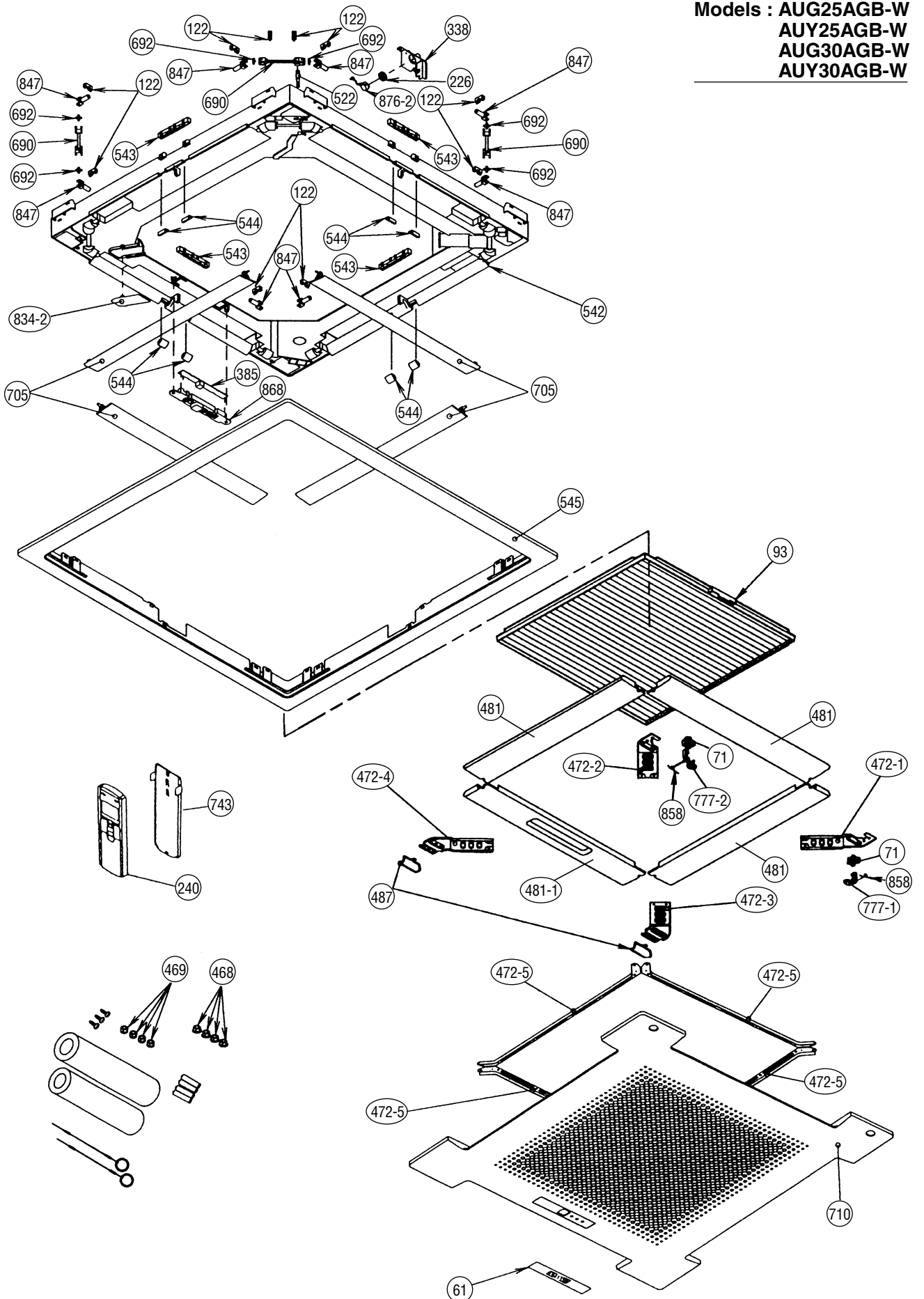
Models : AO □ 30RMBL

CONTROLLER PCB ASSEMBLY ( MAIN PCB )  
AOG30RMBL,AOY30RMBL,AOT30RMBL : EZ-0028HUE-C

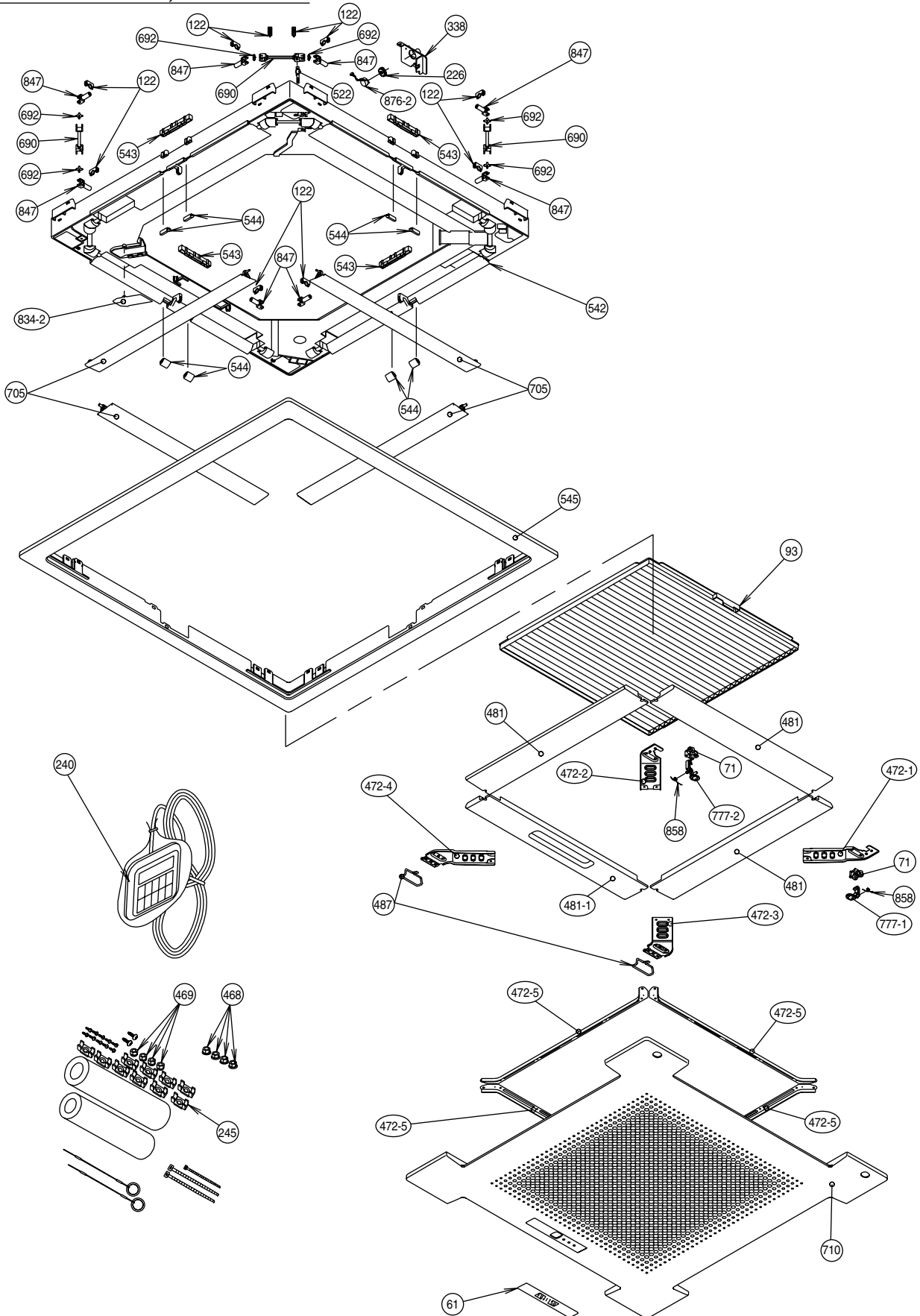


# DISASSEMBLY ILLUSTRATION

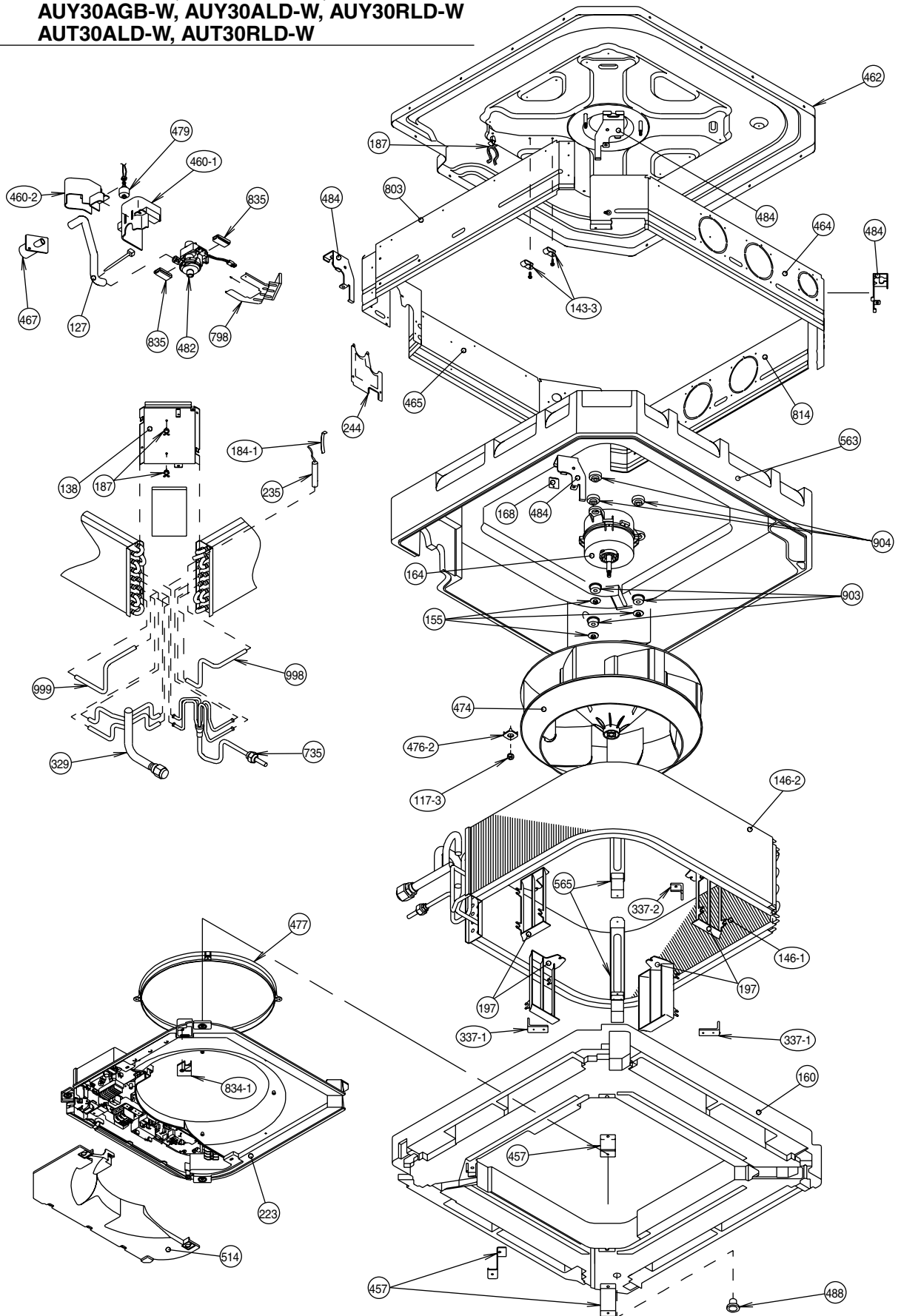
Models : AUG25AGB-W  
 AUU25AGB-W  
 AUG30AGB-W  
 AUU30AGB-W



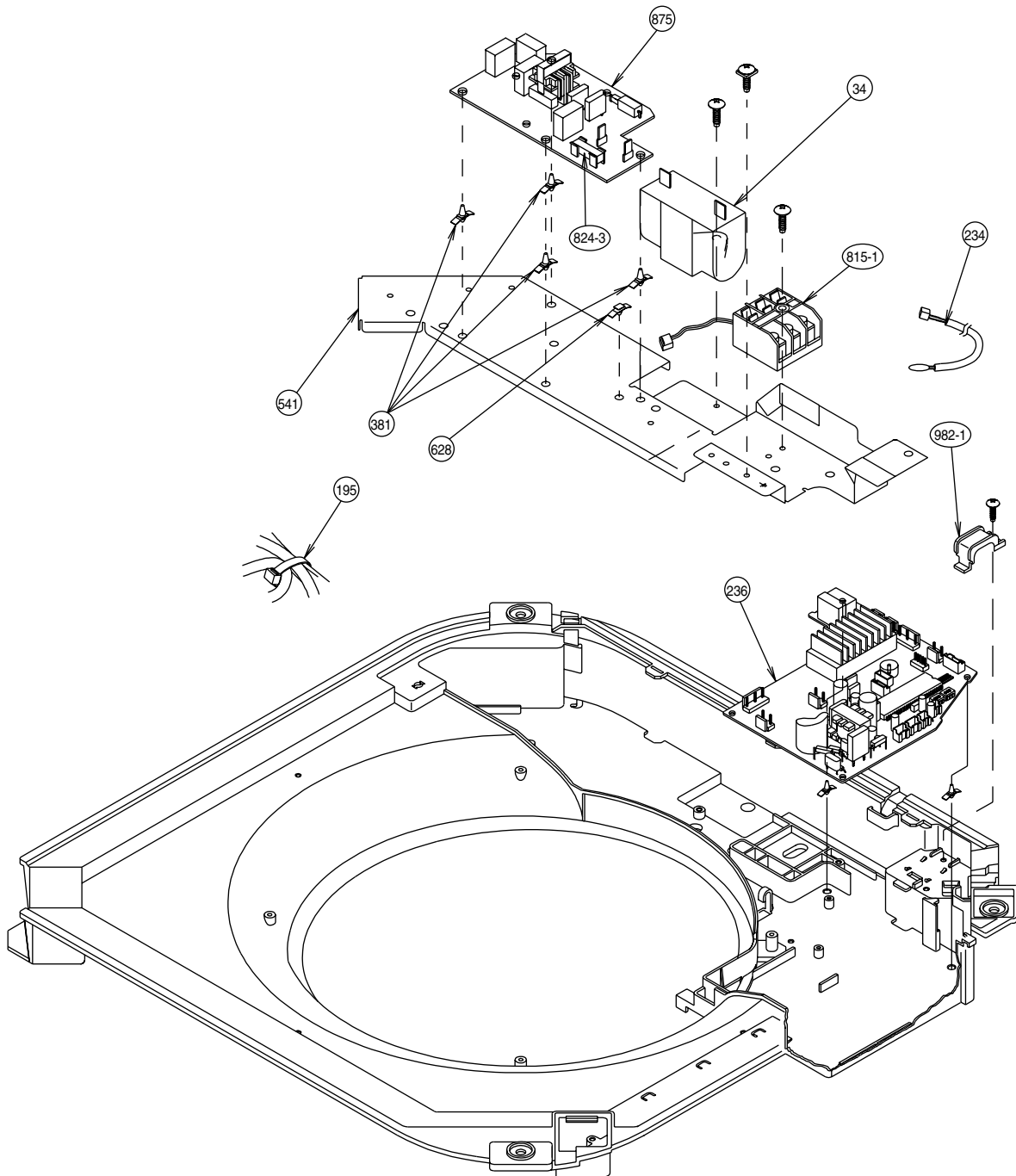
**Models : AUG25ALD-W, AUG25RLD-W**  
**AUY25ALD-W, AUY25RLD-W**  
**AUT25ALD-W, AUT25RLD-W**  
**AUG30ALD-W, AUG30RLD-W**  
**AUY30ALD-W, AUY30RLD-W**  
**AUT30ALD-W, AUT30RLD-W**



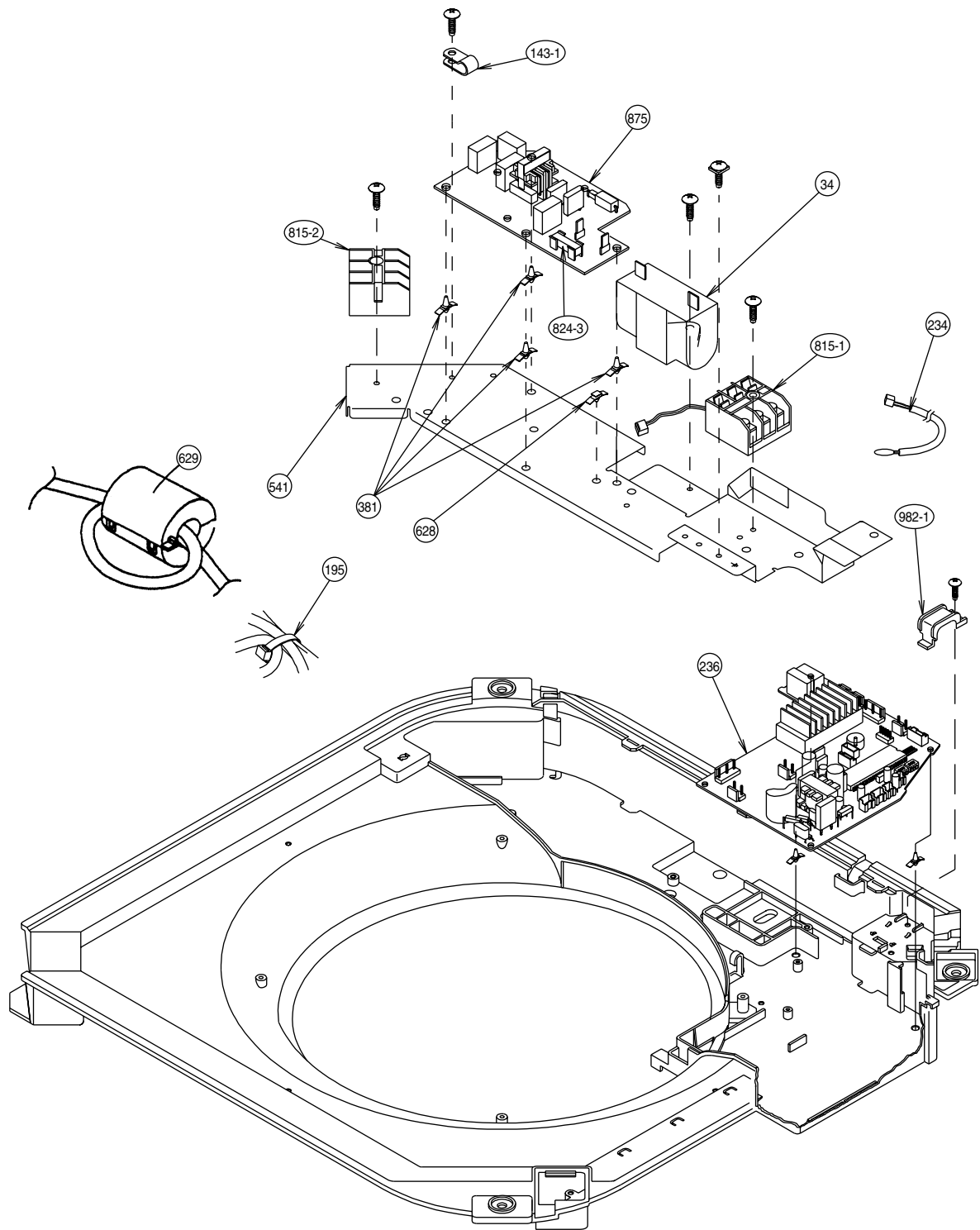
**Models : AUG25AGB-W, AUG25ALD-W, AUG25RLD-W**  
**AUY25AGB-W, AUY25ALD-W, AUY25RLD-W**  
**AUT25ALD-W, AUT25RLD-W**  
**AUG30AGB-W, AUG30ALD-W, AUG30RLD-W**  
**AUY30AGB-W, AUY30ALD-W, AUY30RLD-W**  
**AUT30ALD-W, AUT30RLD-W**



Models : AUG25AGB-W  
AUY25AGB-W  
AUG30AGB-W  
AUY30AGB-W

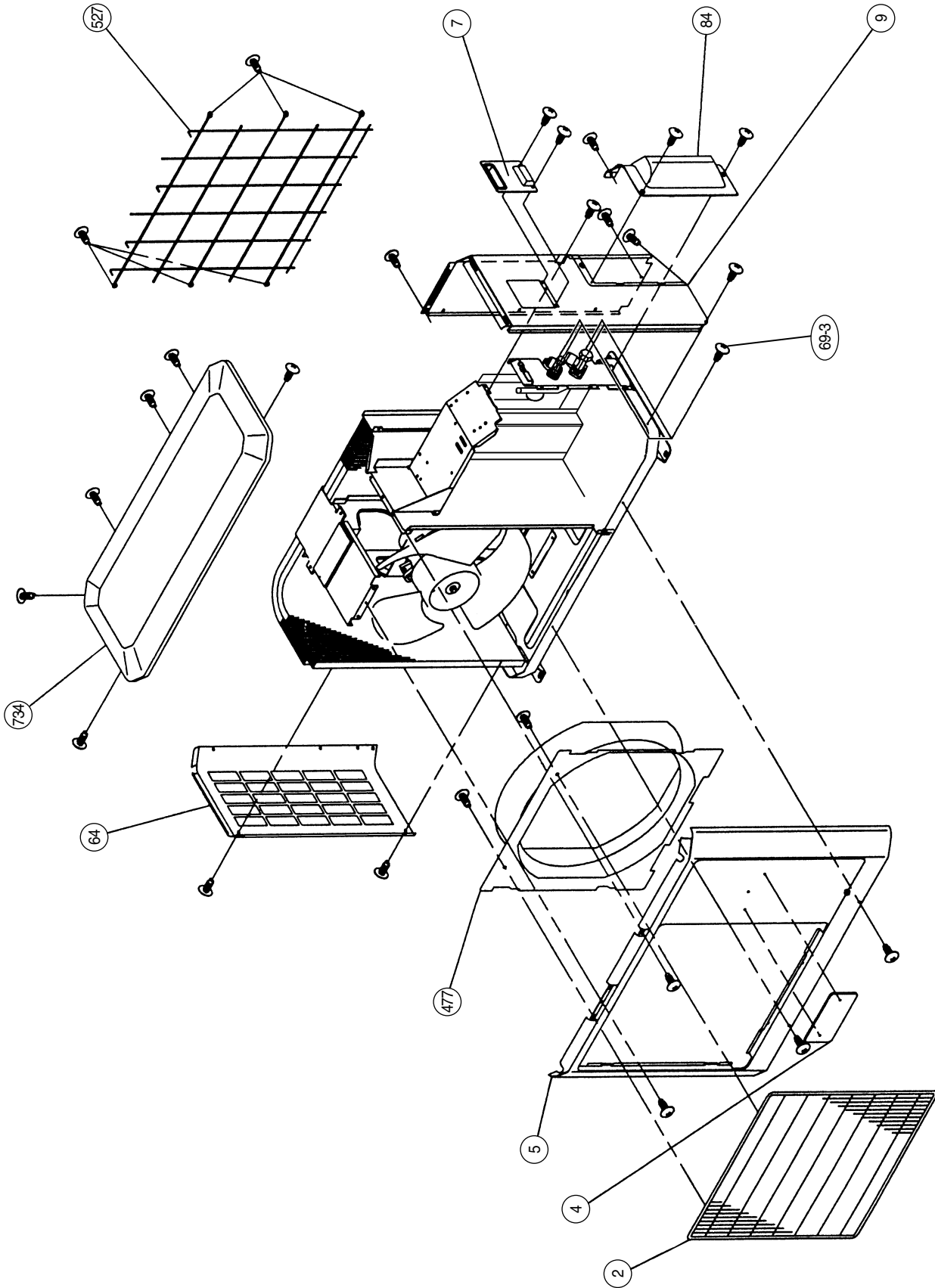


**Models : AUG25ALD-W, AUG25RLD-W  
AUY25ALD-W, AUY25RLD-W  
AUT25ALD-W, AUT25RLD-W  
AUG30ALD-W, AUG30RLD-W  
AUY30ALD-W, AUY30RLD-W  
AUT30ALD-W, AUT30RLD-W**

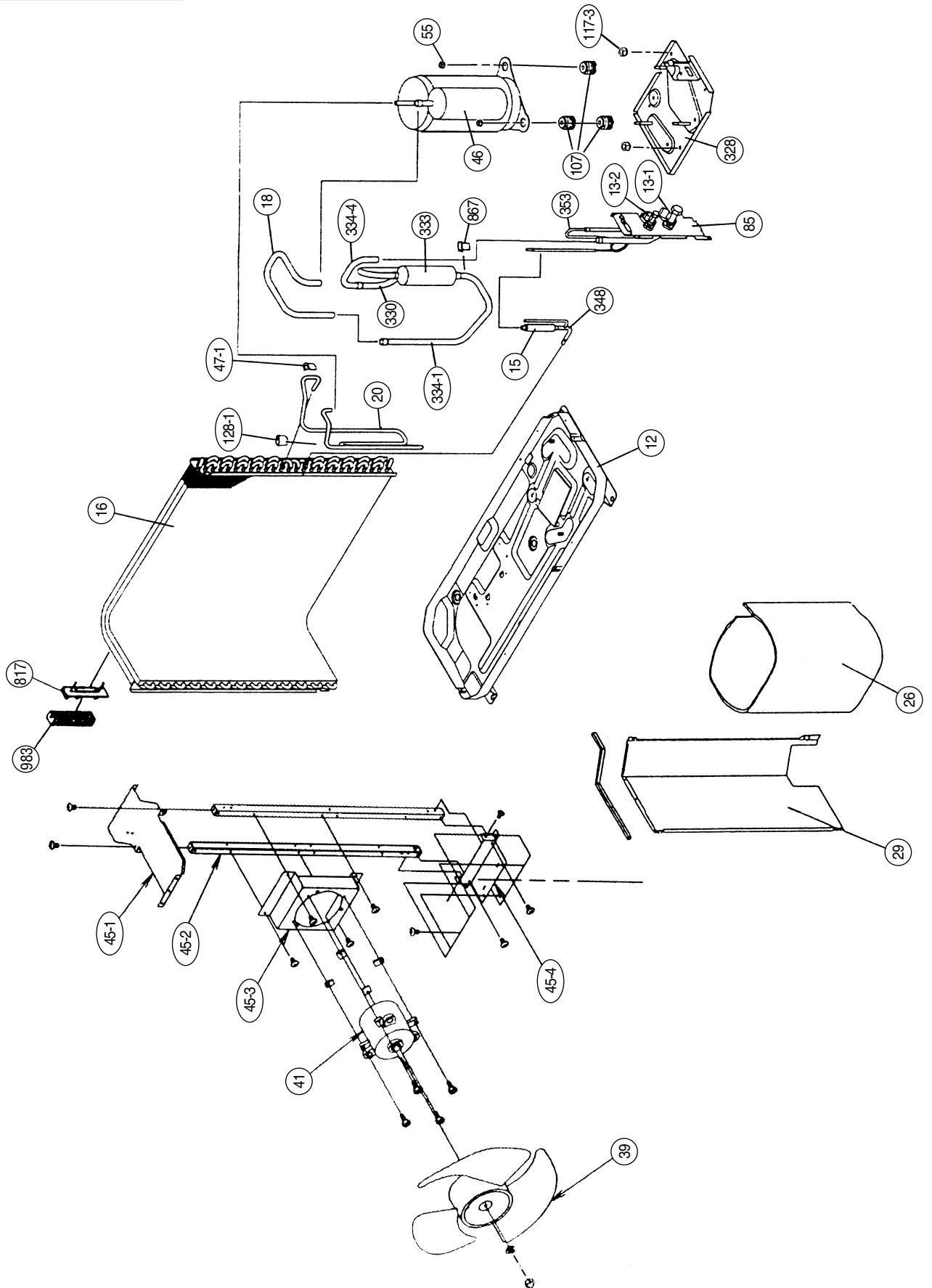




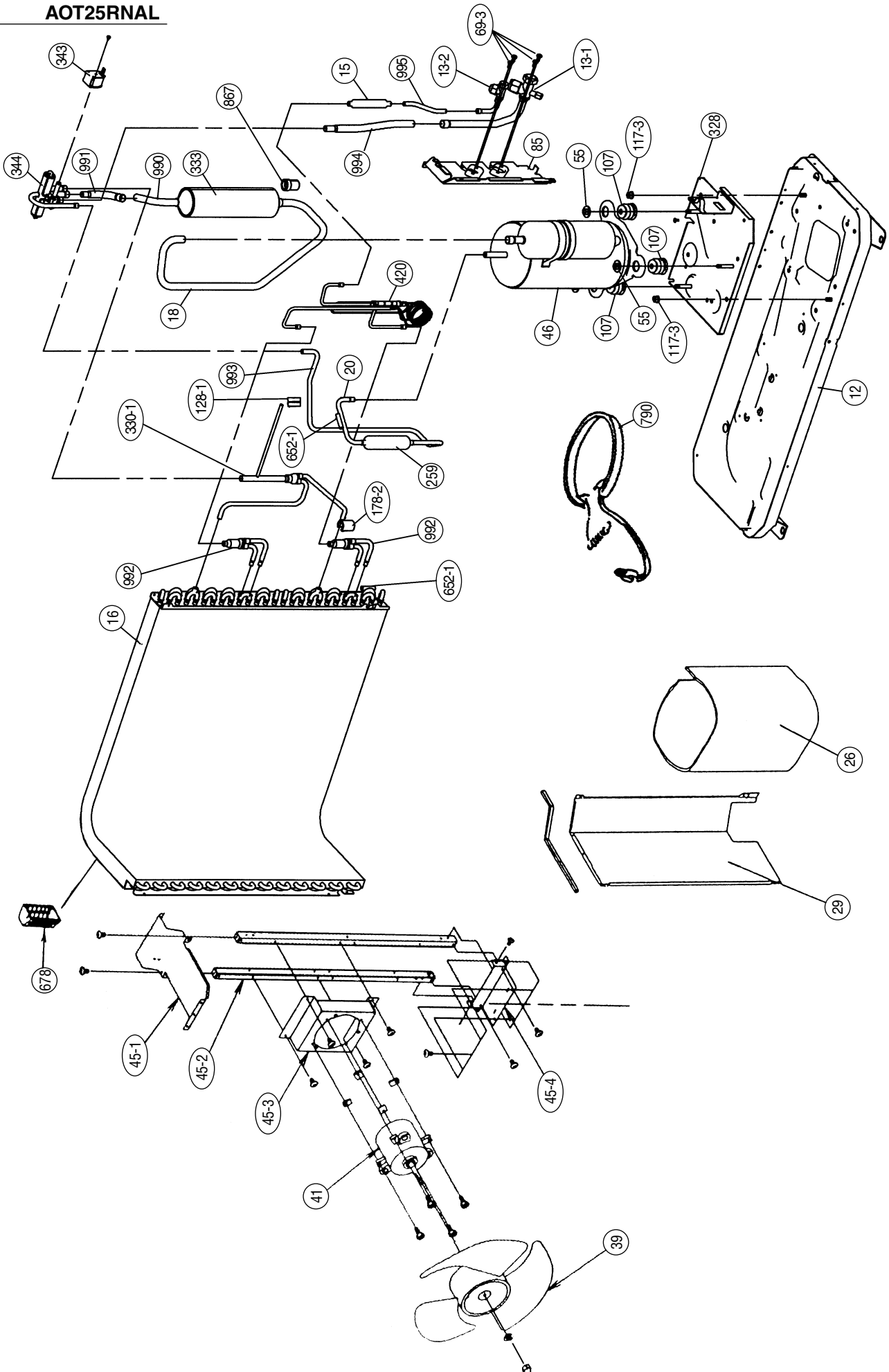
Models : AOG25ANAL, AOG25RNAL  
AOY25ANAL, AOY25RNAL  
AOT25ANAL, AOT25RNAL



Models : AOG25ANAL  
AOY25ANAL  
AOT25ANAL

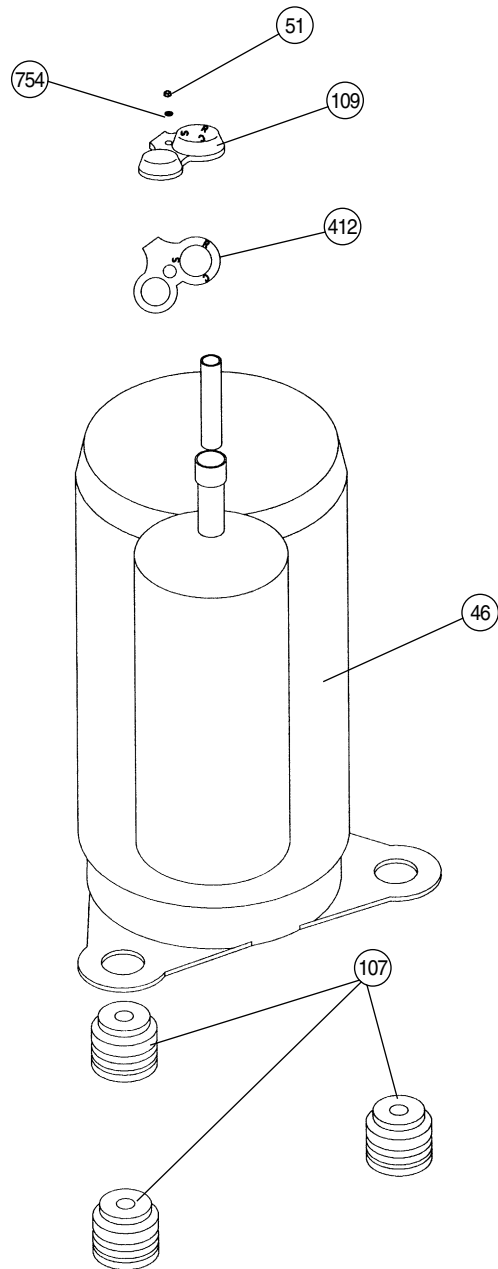


Models : AOG25RNAL  
AOY25RNAL  
AOT25RNAL

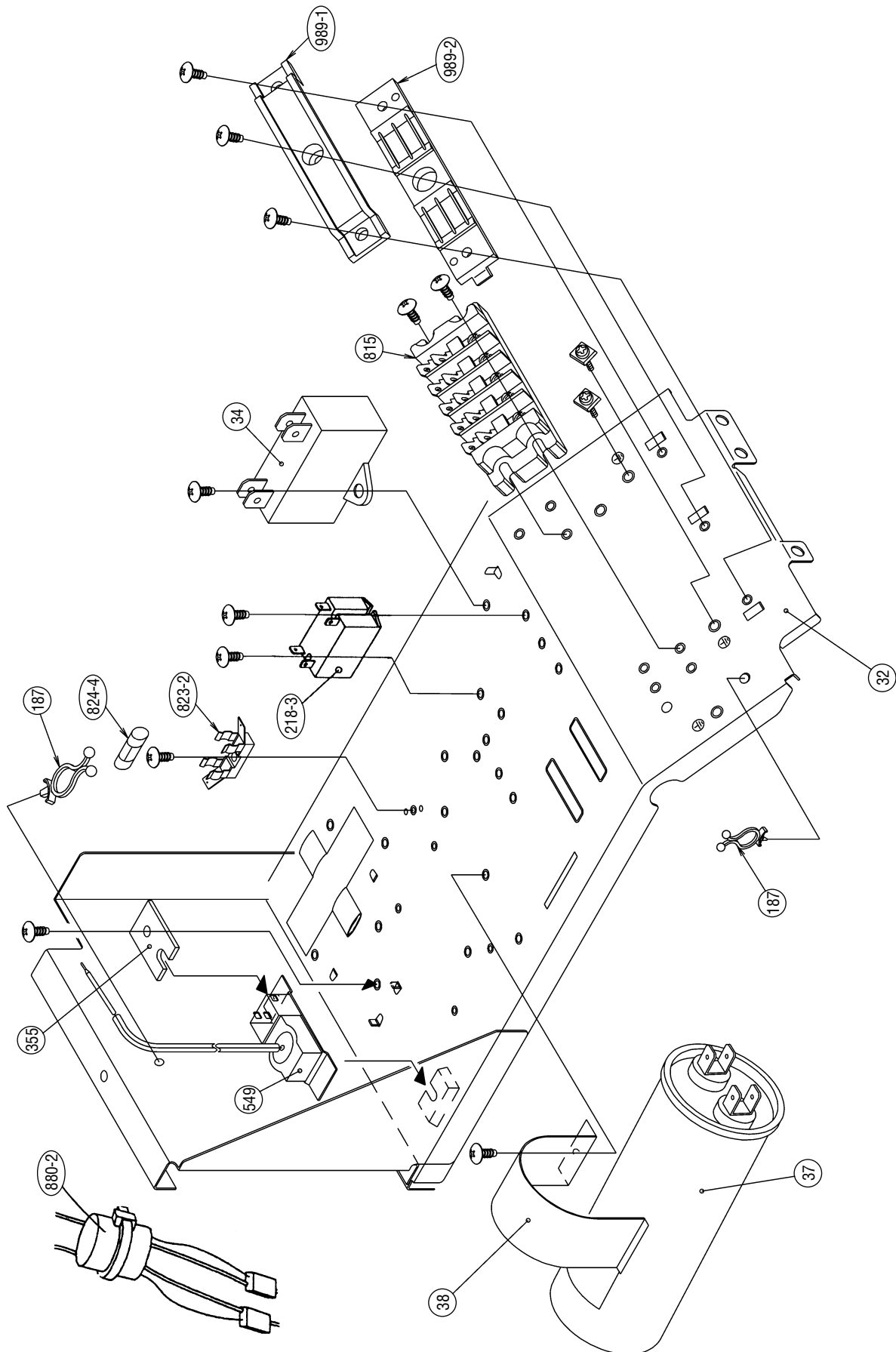


**Models : AOG25ANAL, AOG25RNAL  
AOY25ANAL, AOY25RNAL  
AOT25ANAL, AOT25RNAL**

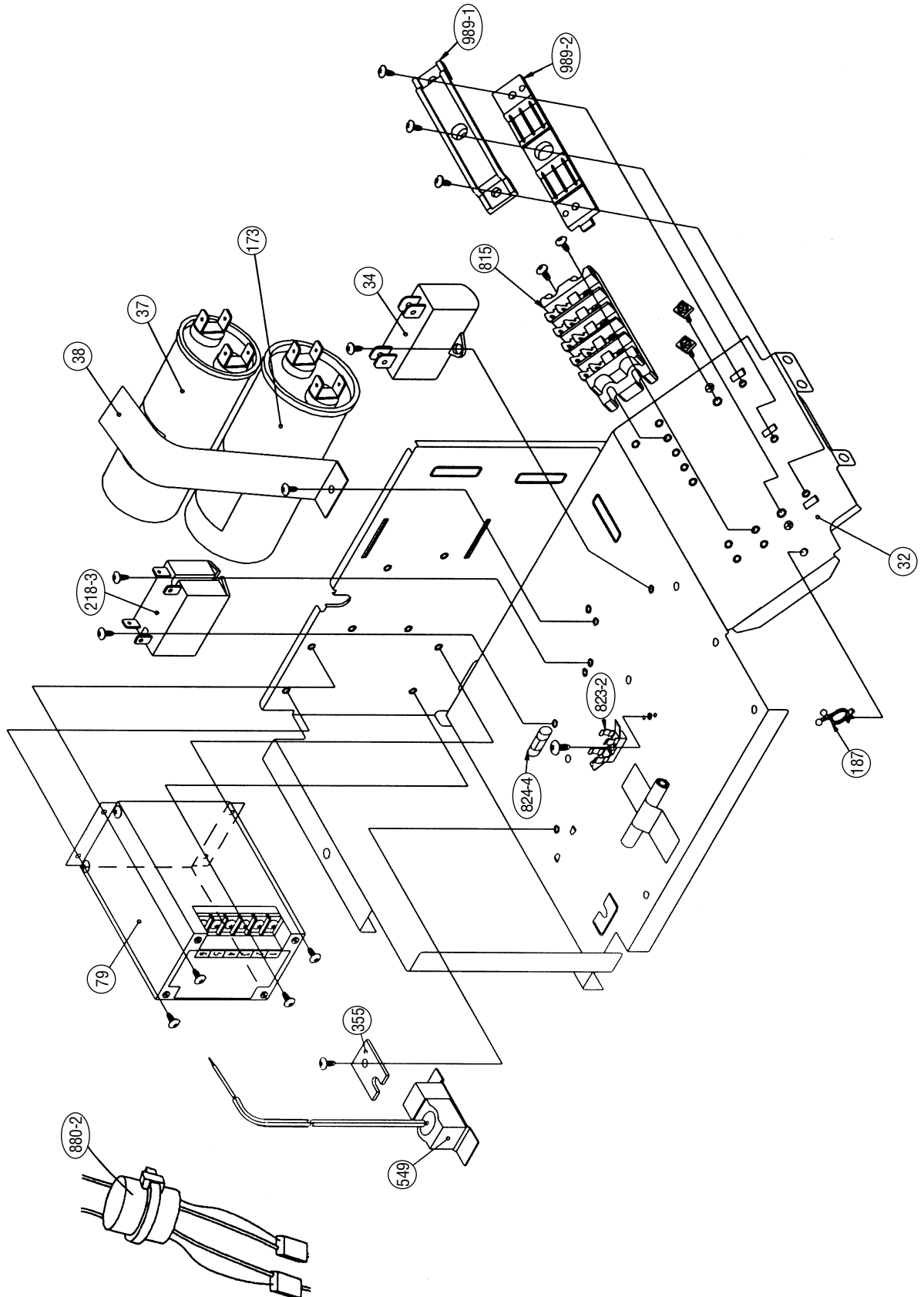
---



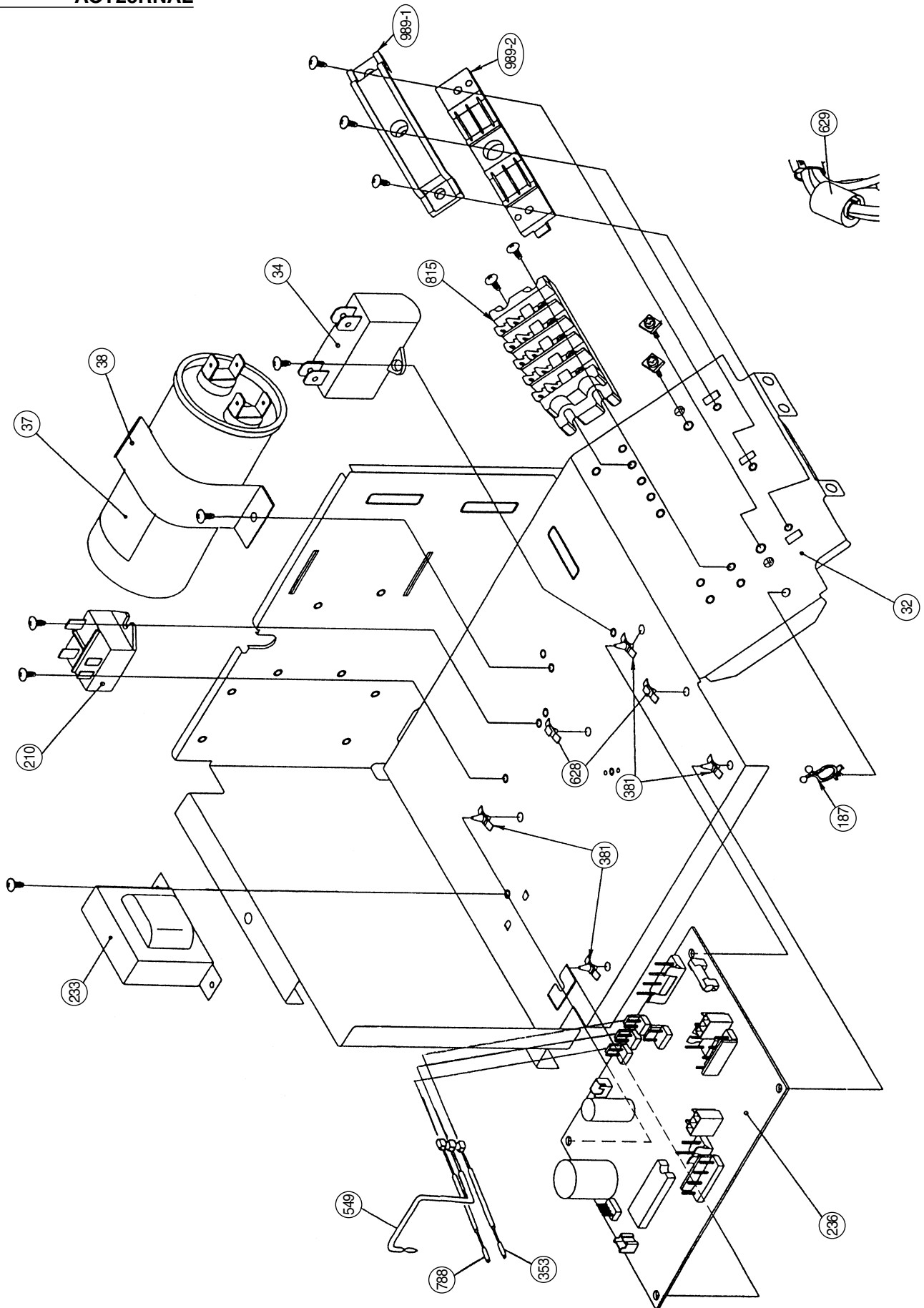
Models : AOG25ANAL  
AOY25ANAL



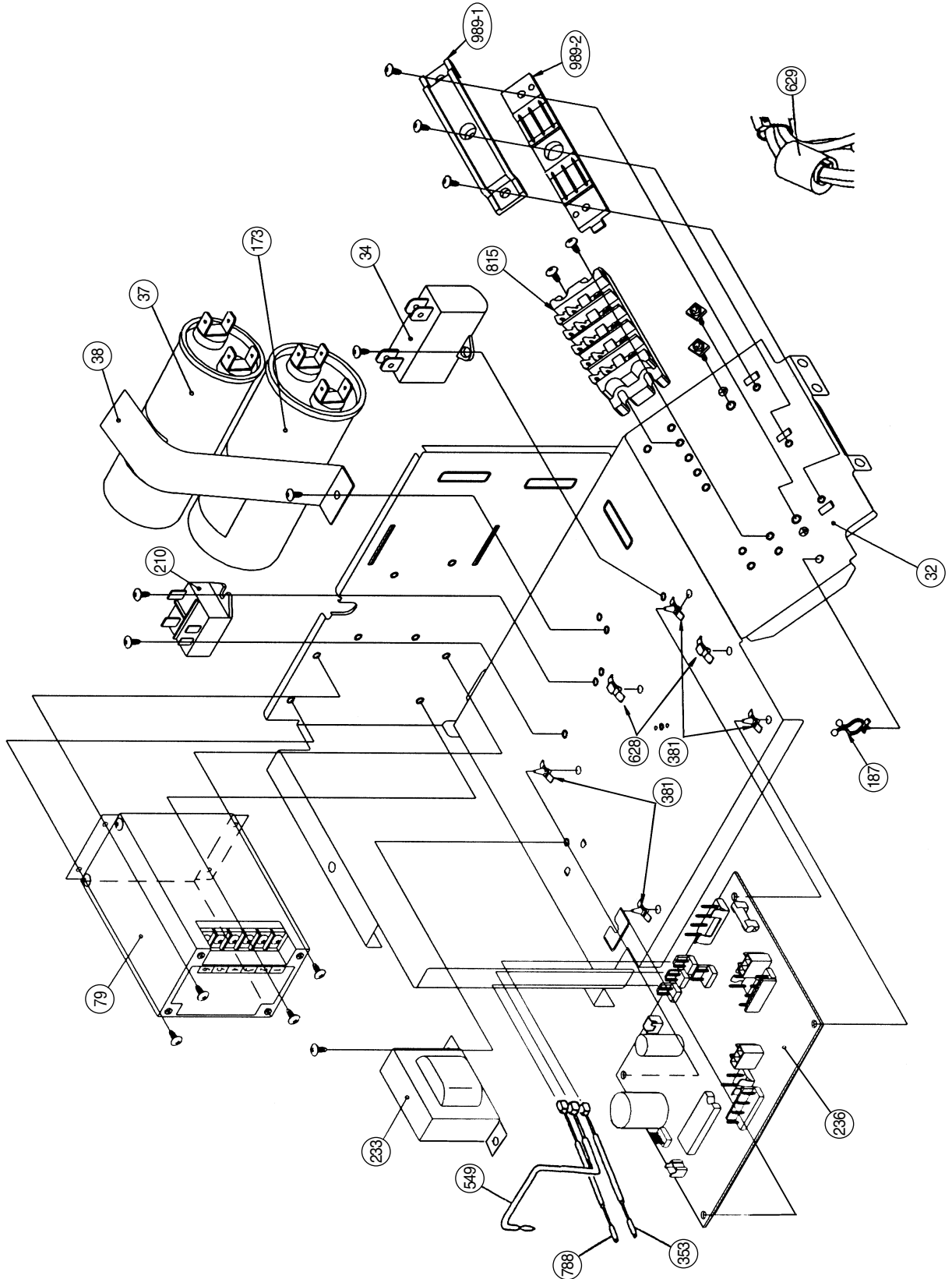
**Model : AOT25ANAL**



Models : AOG25RNL  
AOY25RNL

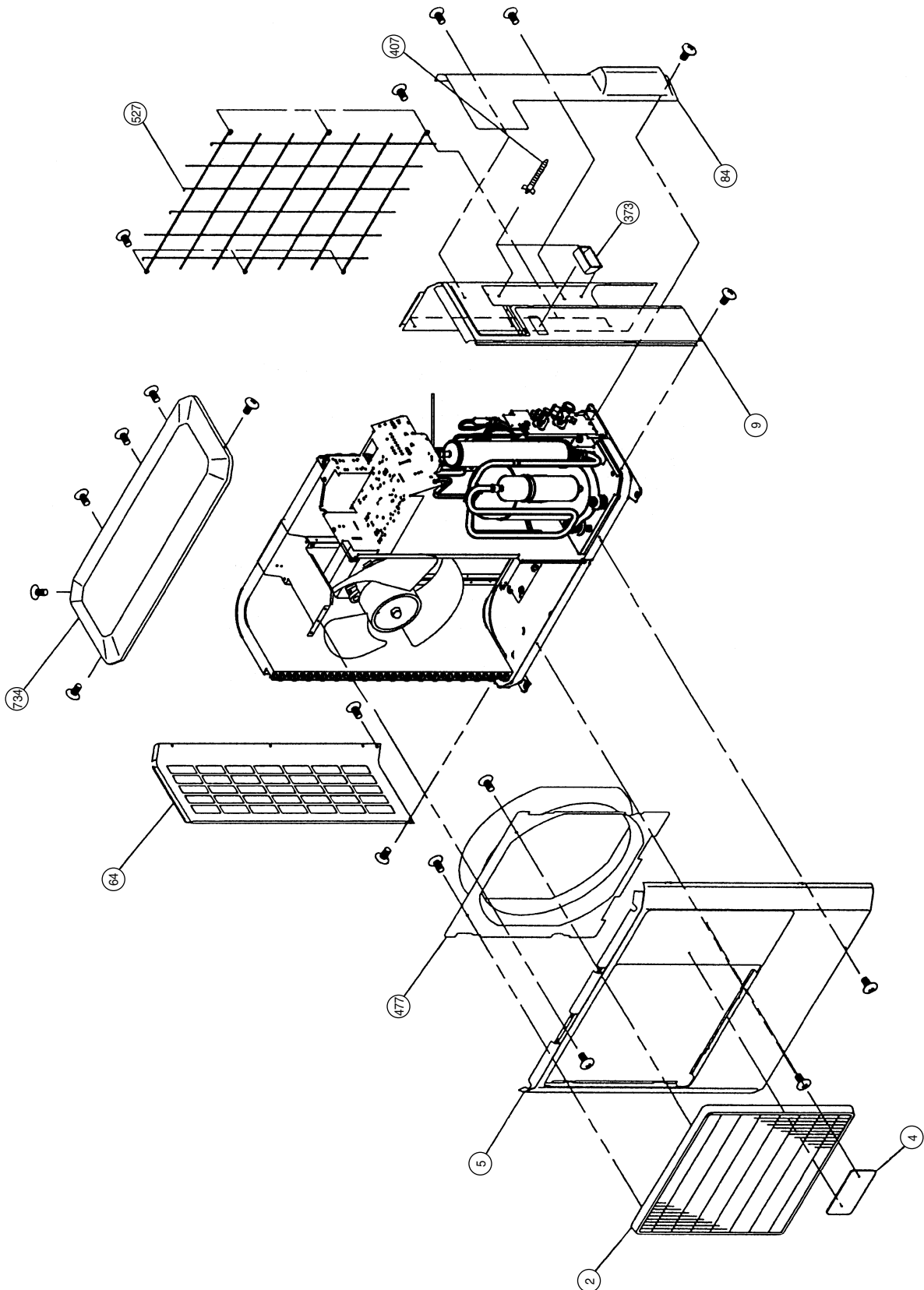


**Model : AOT25RNAL**

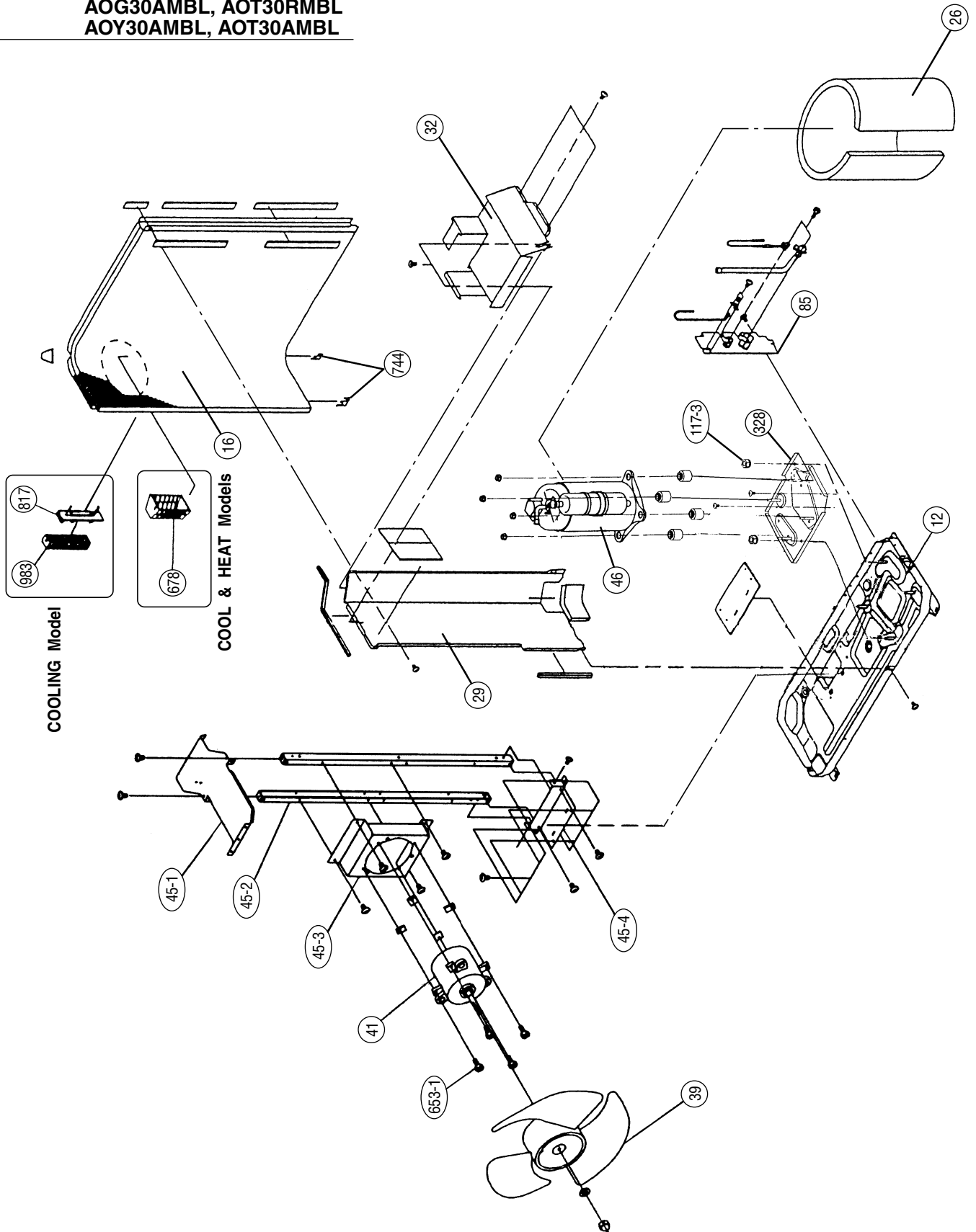




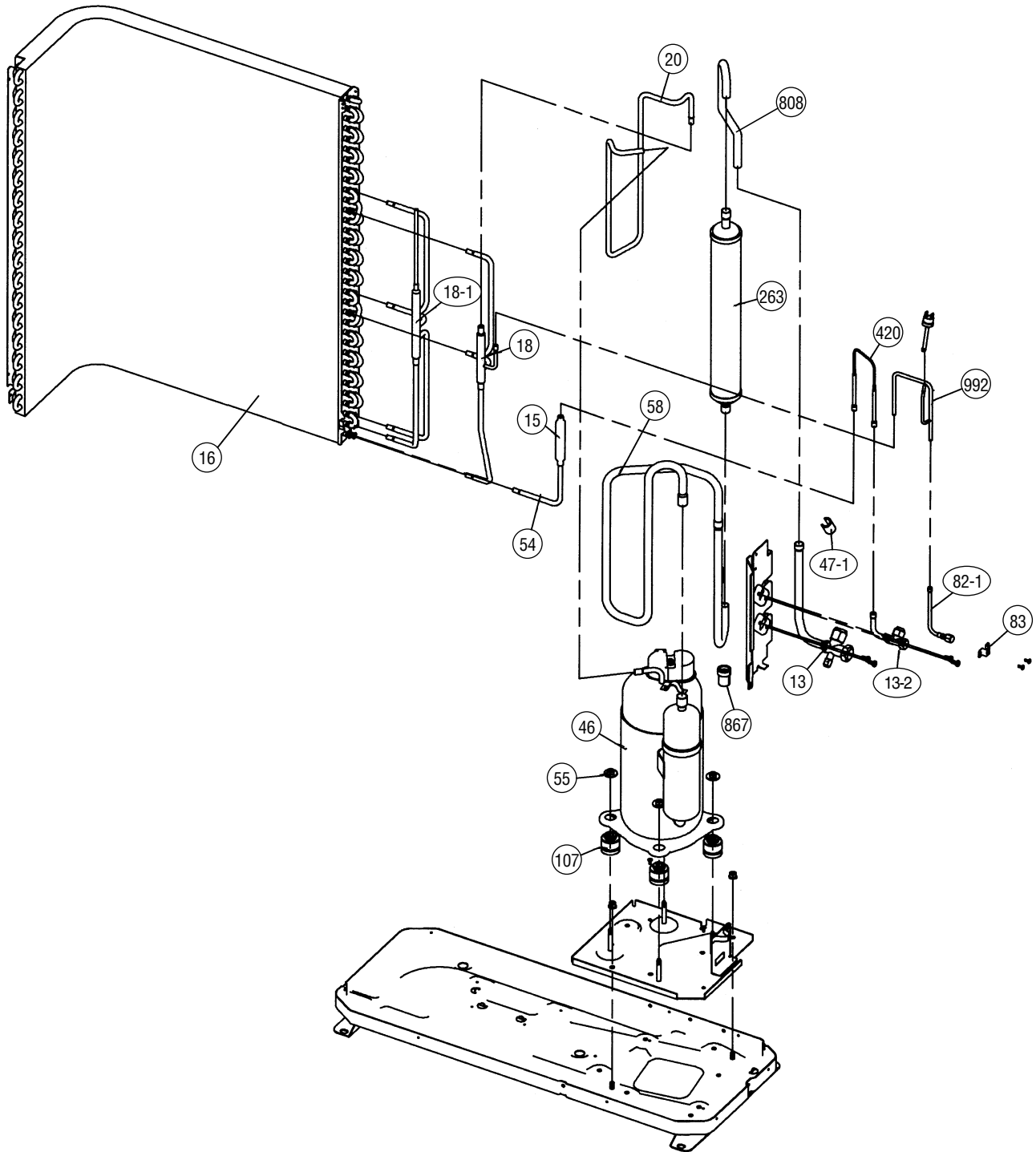
Models : AOG30AMBH, AOG30RMBL  
AOY30AMBH, AOY30RMBL  
AOG30AMBL, AOT30RMBL  
AOY30AMBL, AOT30AMBL



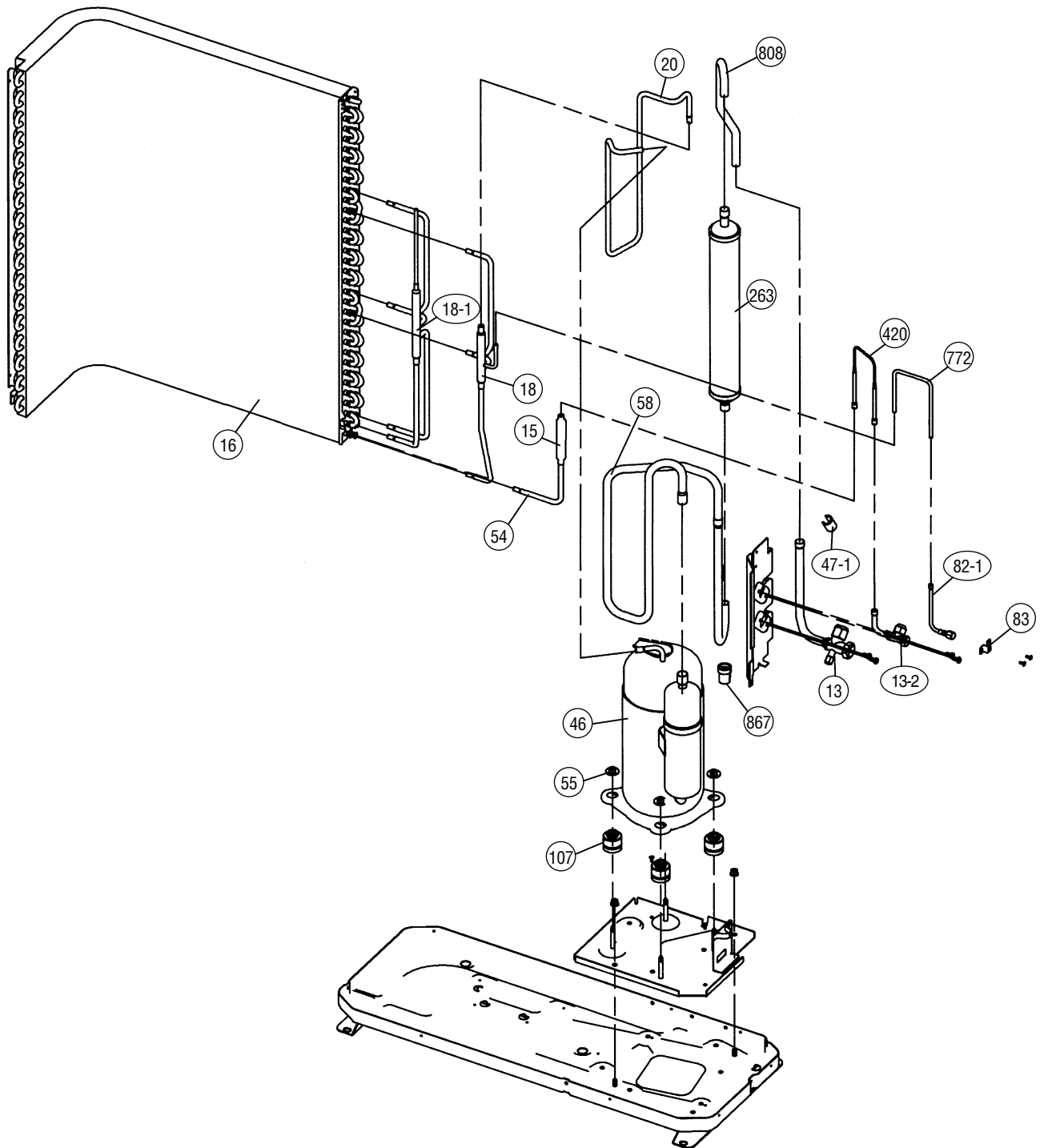
**Models : AOG30AMBH, AOG30RMBL**  
**AOY30AMBH, AOY30RMBL**  
**AOG30AMBL, AOT30RMBL**  
**AOY30AMBL, AOT30AMBL**



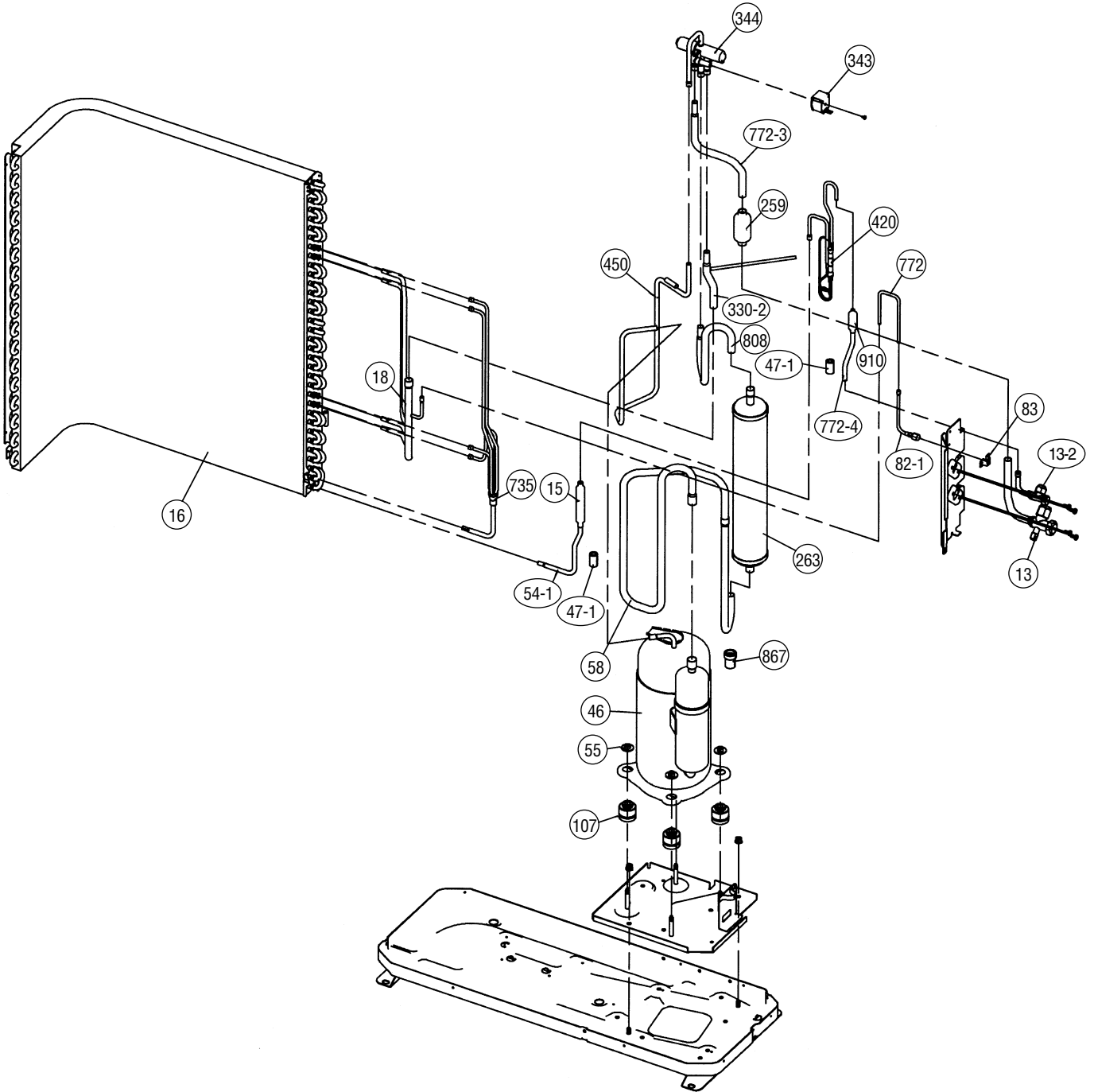
Models : AOG30AMBH  
AOY30AMBH



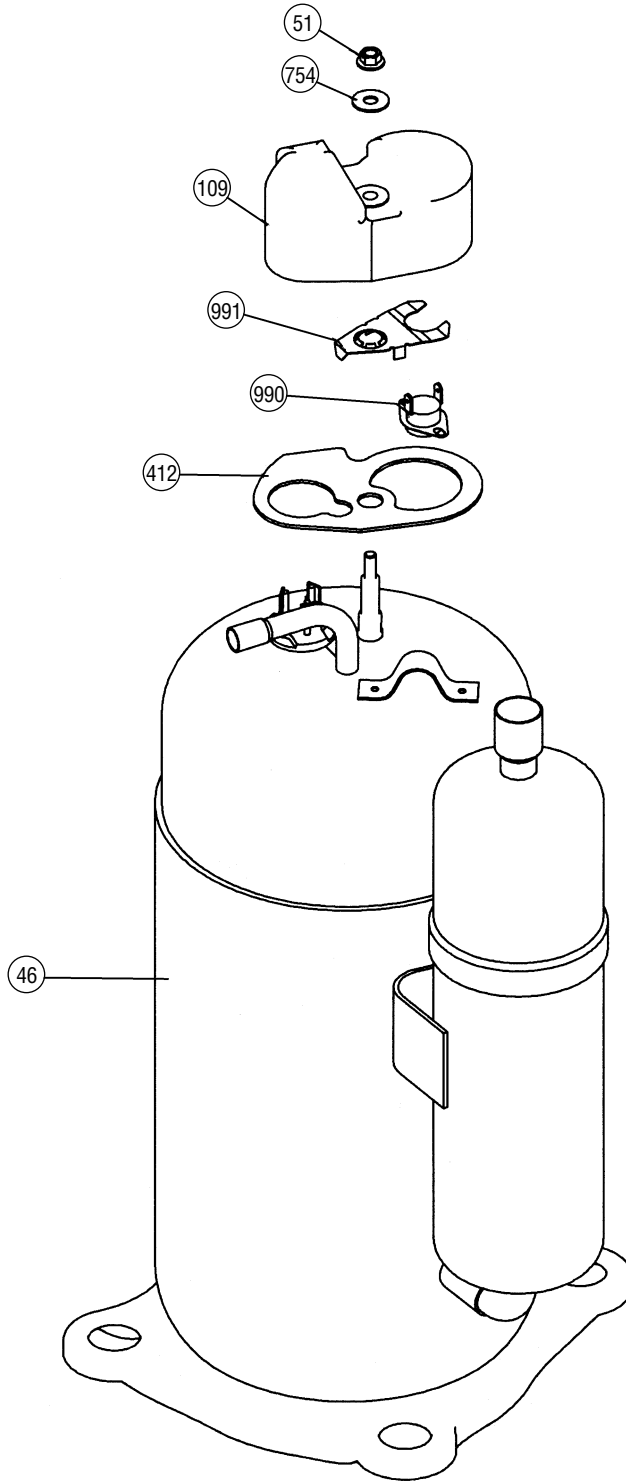
Models : AOG30AMBL  
AOY30AMBL  
AOT30AMBL



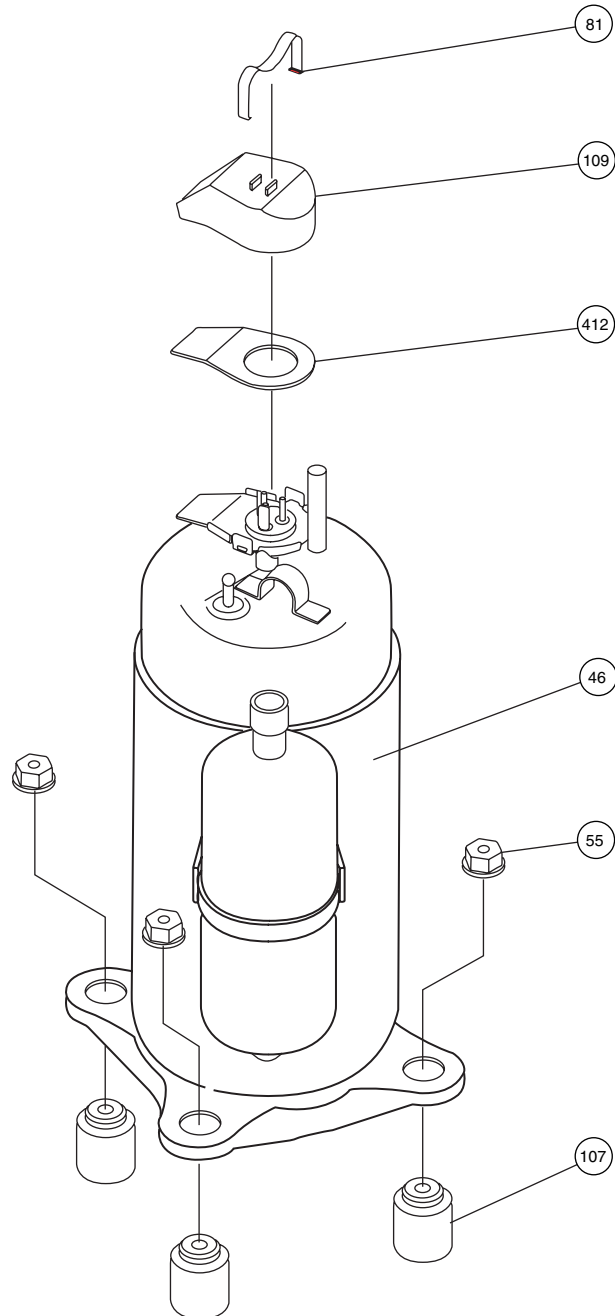
Models : AOG30RMBL  
AOY30RMBL  
AOT30RMBL



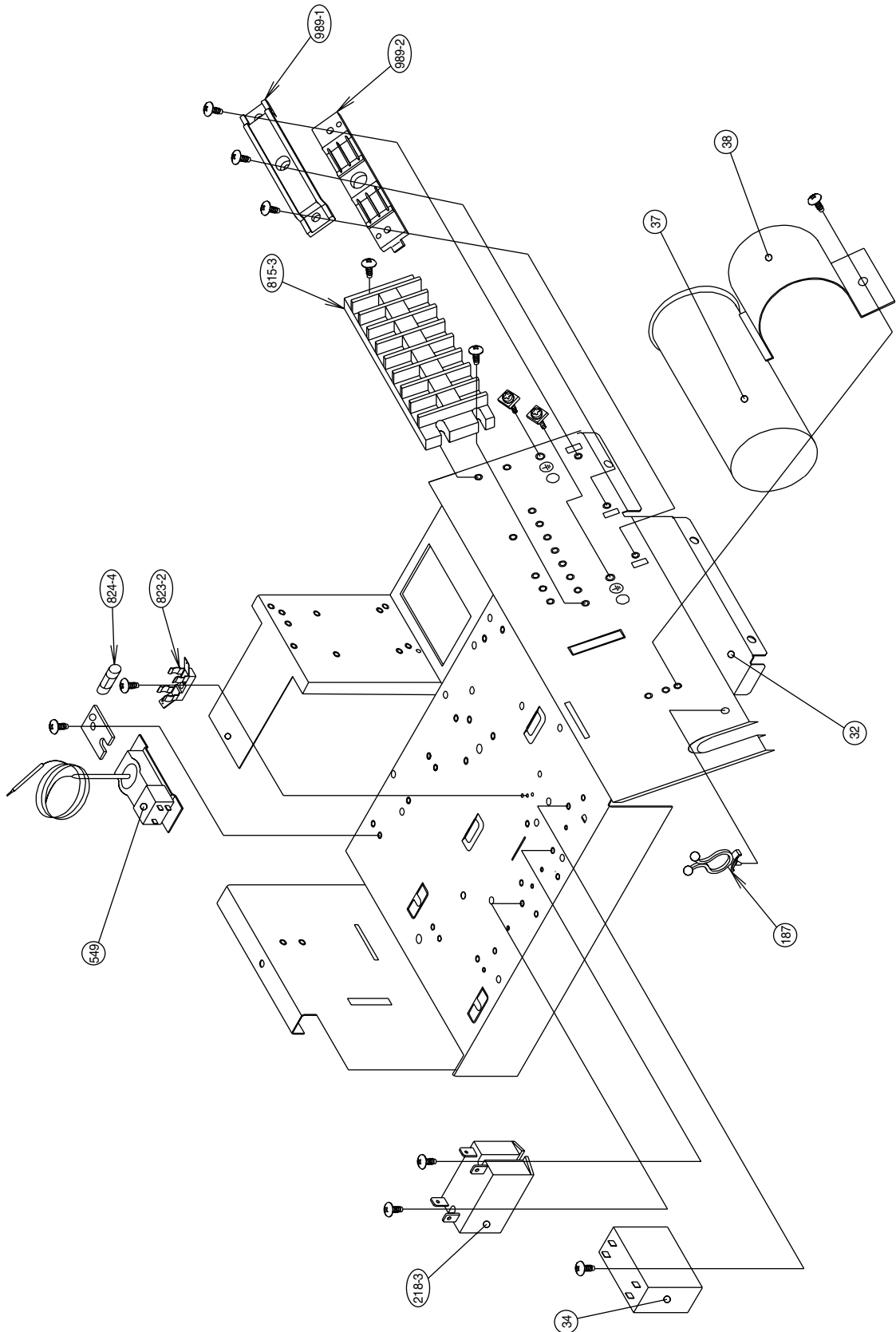
Modes : AOG30AMBH  
AOY30AMBH



**Modes : AOG30AMBL, AOY30AMBL, AOT30AMBL**  
**AOG30RMBL, AOY30RMBL, AOT30RMBL**

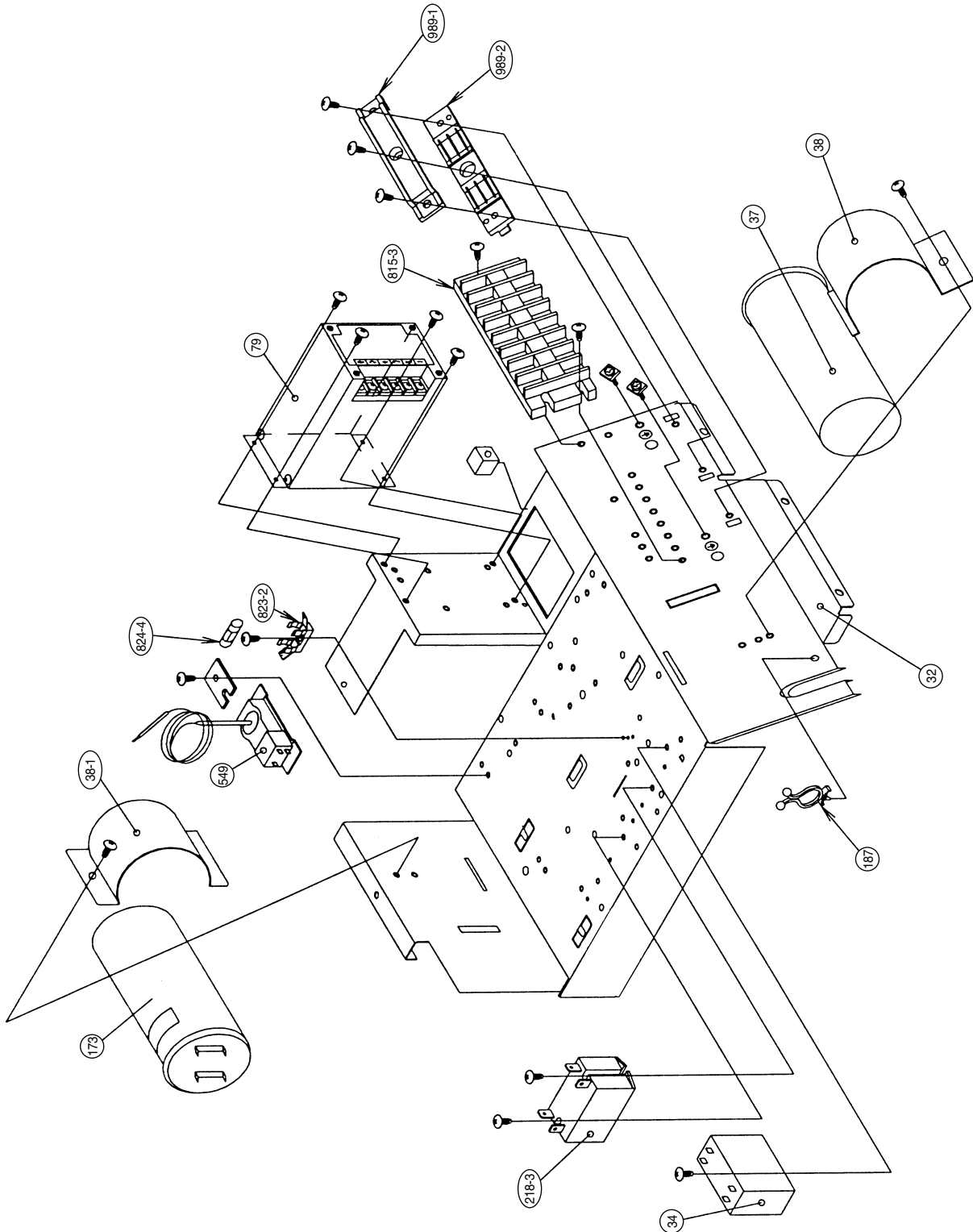


Modes : AOG30AMBL, AOY30AMBL  
AOG30AMBH, AOY30AMBH

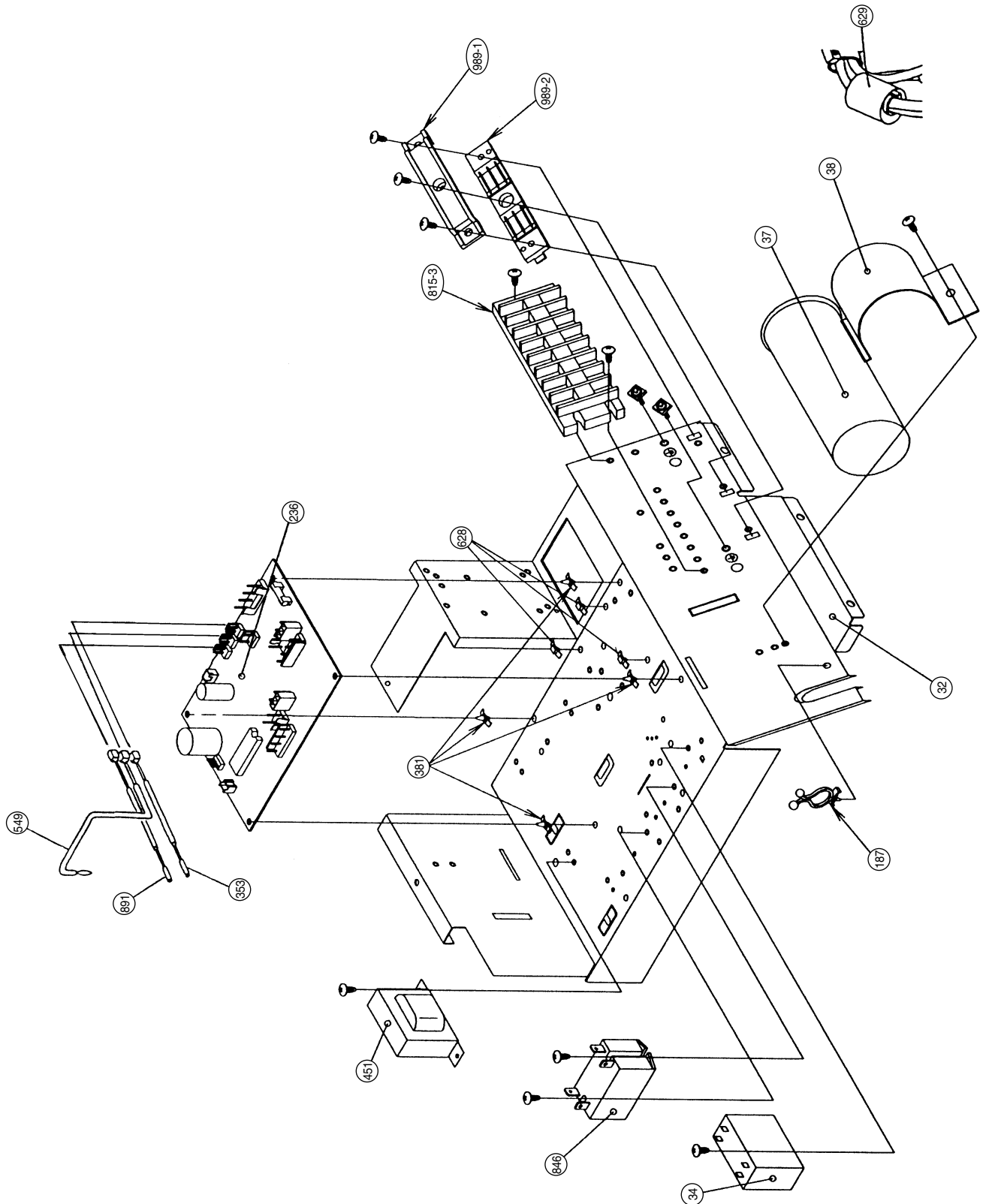




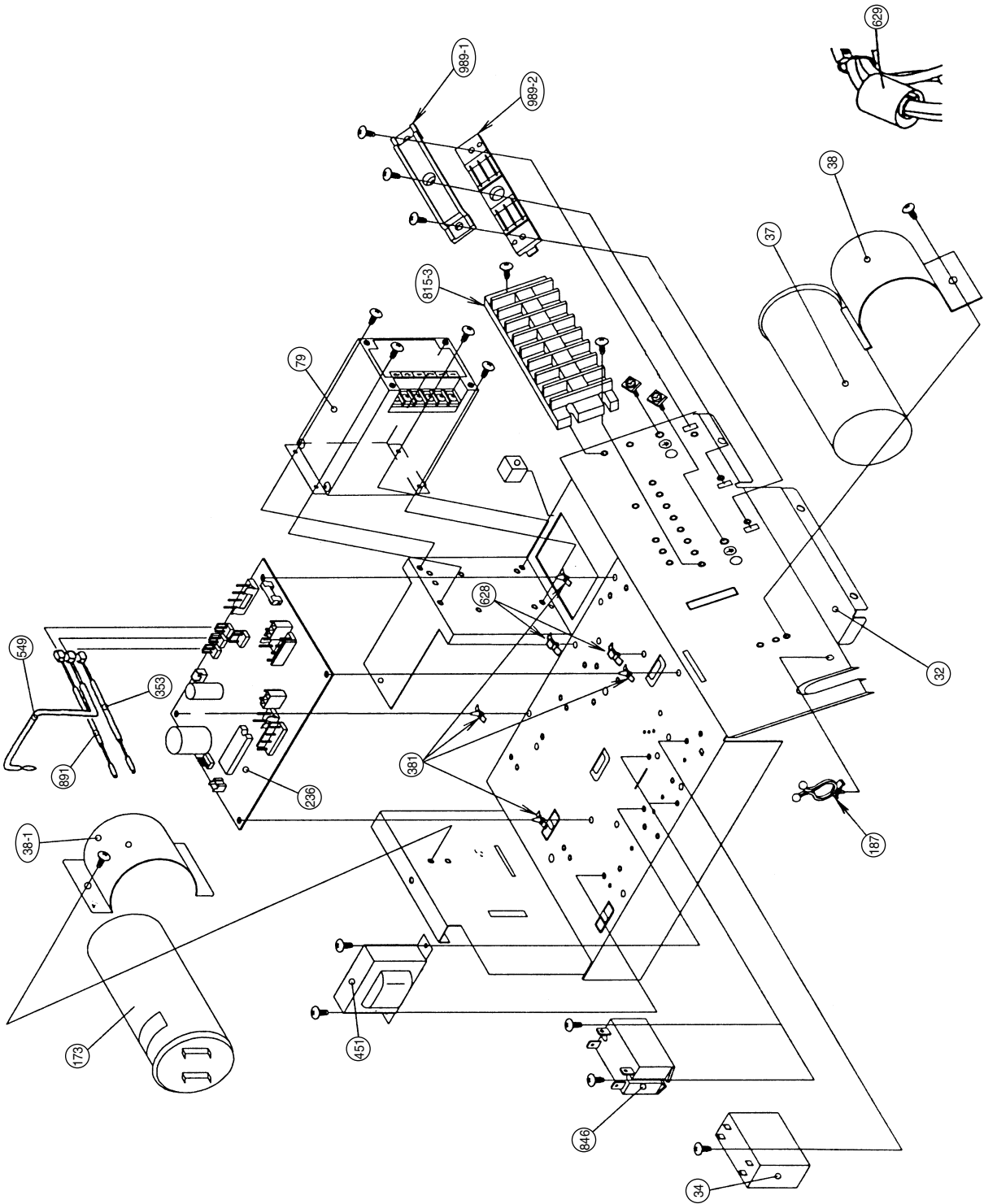
**Mode : AOT30AMBL**



Modes : AOG30RMBL  
AOY30RMBL



**Mode : AOT30RMBL**



# PARTS LIST

When you order parts, please make a photocopy of this page and fill the number of the parts in the "Order" column.

## INDOOR UNIT

Ref. No.	Description	Part No.				Ord. Q'ty
		AUG25AGB-W	AUY25AGB-W	AUG30AGB-W	AUY30AGB-W	
34	Capacitor (Fan Motor)	9703306068	9703306068	9703306068	9703306068	
61	Decoration Plate	9365276013	9365652008	9365276013	9365652008	
71	Grille Hook Holder	9362782005	9362782005	9362782005	9362782005	
93	Filter	9362766005	9362766005	9362766005	9362766005	
117-3	Hex. Nut w/Spring Washer	301721180114	301721180114	301721180114	301721180114	
122	Louver Support Holder	9362799003	9362799003	9362799003	9362799003	
127	Drain Hose	9365074008	9365074008	9365074008	9365074008	
138	Separate Wall	9362793001	9362793001	9362793001	9362793001	
143-3	Clamp NK-6N	9305657001	9305657001	9305657001	9305657001	
146 -1	Evaporator-A Assy	9368196004	9368196004	9369827006	9369827006	
146 -2	Evaporator-B Assy	9368197001	9368197001	9369828003	9369828003	
155	Special Nut M6	9307615016	9307615016	9307615016	9307615016	
160	Drain Pan Assy	9362804004	9362804004	9362804004	9362804004	
164	Fan Motor Assy-In	9601558019	9601558019	9601558019	9601558019	
168	Cabinet-E	9362735001	9362735001	9362735001	9362735001	
184-1	Thermostat Spring-A	313728262708	313728262708	313728262708	313728262708	
187	Clamp No.1219	313361271706	313361271706	313361271706	313361271706	
195	Clamp SKB-100	313361275805	313361275805	313361275805	313361275805	
197	Wind Guide Board	9363117004	9363117004	9363117004	9363117004	
223	Control Box	9362762007	9362762007	9362762007	9362762007	
226	Motor Gear	9362764001	9362764001	9362764001	9362764001	
234	Thermistor Assy-Room	9703299025	9703299025	9703299025	9703299025	
235	Thermistor Assy-Pipe	9703297014	9703297014	9703297014	9703297014	
236	Controller PCB Assy	9704557186	9704557186	9704557285	9704557285	
240	Remote Control Unit	9359913047	9359913047	9359913047	9359913047	
244	Pipe Cover	9362748001	9362748001	9362748001	9362748001	
329	Coupling Pipe Assy	9368204006	9368204006	9368204006	9368204006	
337-1	Reinforcement (Eva.)-A	9362749008	9362749008	9362749008	9362749008	
337-2	Reinforcement (Eva.)-B	9362750004	9362750004	9362750004	9362750004	
338	Motor Holder	9362765008	9362765008	9362765008	9362765008	
381	Locking Spacer	313209391506	313209391506	313209391506	313209391506	
385	Indicator PCB Assy	9704017017	9704017017	9704017017	9704017017	
457	Reinforcement (Drain Pan)	9362757003	9362757003	9362757003	9362757003	
460-1	Pump Cover-A	9362775007	9362775007	9362775007	9362775007	
460-2	Pump Cover-B	9362776004	9362776004	9362776004	9362776004	
462	Top Cover Plate Assy	9362806022	9362806022	9362806022	9362806022	
464	Cabinet-A Assy	9362807012	9362807012	9362807012	9362807012	
465	Cabinet-B Assy	9362808019	9362808019	9362808019	9362808019	
467	Drain Port	9362786003	9362786003	9362786003	9362786003	
468	Special Nut-A (Large)	313005446653	313005446653	313005446653	313005446653	
469	Special Nut-B (Small)	313005446759	313005446759	313005446759	313005446759	
472-1	Grille Reinforcement-A	9362738002	9362738002	9362738002	9362738002	
472-2	Grille Reinforcement-B	9362739009	9362739009	9362739009	9362739009	
472-3	Grille Reinforcement-C	9362740005	9362740005	9362740005	9362740005	
472-4	Grille Reinforcement-D	9362741002	9362741002	9362741002	9362741002	
472-5	Grille Reinforcement-E	9362742009	9362742009	9362742009	9362742009	
474	Turbo Fan Assy	9362810012	9362810012	9362810012	9362810012	
476-2	Special Washer	9362756006	9362756006	9362756006	9362756006	
477	Bellmouth (B)	9362774000	9362774000	9362774000	9362774000	
479	Float Switch	9703285004	9703285004	9703285004	9703285004	
481	Insulation (Grille)-A	9362780001	9362780001	9362780001	9362780001	
481-1	Insulation (Grille)-B	9362781008	9362781008	9362781008	9362781008	
482	Pump Unit	9703125010	9703125010	9703125010	9703125010	
484	Hook	9362736008	9362736008	9362736008	9362736008	
487	Grille Hinge Wire	9362754002	9362754002	9362754002	9362754002	
488	Drain Pan Plug	313005174654	313005174654	313005174654	313005174654	
514	Control Box Cover	9362763004	9362763004	9362763004	9362763004	
522	Joint Gear	9362772006	9362772006	9362772006	9362772006	
541	Terminal Plate	9363642001	9363642001	9363642001	9363642001	
542	Panel Base	9362759014	9362759014	9362759014	9362759014	

When you order parts, please make a photocopy of this page and fill the number of the parts in the "Order" column.

**INDOOR UNIT (Continued)**

Ref. No.	Description	Part No.				Ord. Qty
		AUG25AGB-W	AUJ25AGB-W	AUG30AGB-W	AUJ30AGB-W	
543	Panel Frame Holder	9362761017	9362761017	9362761017	9362761017	
544	Panel Base Holder	9362760010	9362760010	9362760010	9362760010	
545	Panel Frame	9362758017	9362758017	9362758017	9362758017	
563	Insulation (Inner Box)	9362797009	9362797009	9362797009	9362797009	
565	Evaporator Holder Assy	9362802024	9362802024	9362802024	9362802024	
628	Locking Spacer-B	313005446558	313005446558	313005446558	313005446558	
690	Joint-A	9362773003	9362773003	9362773003	9362773003	
692	Joint Shaft	9362771009	9362771009	9362771009	9362771009	
705	Louver	9362769013	9362769013	9362769013	9362769013	
710	Intake Grille	9362767019	9362767019	9362767019	9362767019	
735	Distributor Assy	9368198008	9368198008	9368198008	9368198008	
743	Remote control Unit Holder Case	9359955016	9359955016	9359955016	9359955016	
777-1	Grille Hook-A	9362779012	9362779012	9362779012	9362779012	
777-2	Grille Hook-B	9362778015	9362778015	9362778015	9362778015	
798	Pump Hook Bracket	9362753005	9362753005	9362753005	9362753005	
803	Cabinet-D	9362792004	9362792004	9362792004	9362792004	
814	Cabinet-C	9362791007	9362791007	9362791007	9362791007	
815-1	Terminal-3P	9306489069	9306489069	9306489069	9306489069	
824-3	Fuse	0600222512	0600222512	0600222512	0600222512	
834-1	Wire Cover-A	9362789004	9362789004	9362789004	9362789004	
834-2	Wire Cover-B	9362788007	9362788007	9362788007	9362788007	
835	Cushion Rubber (Pump)	9362777001	9362777001	9362777001	9362777001	
847	Louver Supporter	9362770019	9362770019	9362770019	9362770019	
858	Grille Spring	9362755009	9362755009	9362755009	9362755009	
868	Holder (PCB)	9364855004	9364855004	9364855004	9364855004	
875	Filter PCB Assy	9704561107	9704561107	9704561107	9704561107	
876-2	Step Motor	9360307019	9360307019	9360307019	9360307019	
903	Rubber (Vibration-proof)-A	9364891002	9364891002	9364891002	9364891002	
904	Rubber (Vibration-proof)-B	9364892009	9364892009	9364892009	9364892009	
982-1	Cord Clamp	9356857009	9356857009	9356857009	9356857009	
998	Bypass Pipe-A	9368207007	9368207007	9368207007	9368207007	
999	Bypass Pipe-B	9368208004	9368208004	9368208004	9368208004	

**OUTDOOR UNIT**

When you order parts, please make a photocopy of this page and fill the number of the parts in the "Order" column.

Ref. No.	Description	Part No.						Ord. Qty
		AOG25ANAL	AOY25ANAL	AOT25ANAL	AOG25RNAL	AOY25RNAL	AOT25RNAL	
2	Fan Cover (Guard)	9371187013	9371187013	9371187013	9371187013	9371187013	9371187013	
4	Emblem-Rear "FUJITSU"	—	9359836018	9359836018	—	9359836018	9359836018	
4	Emblem-Rear "GENERAL"	313791088308	—	—	313791088308	—	—	
5	Cabinet-A, Painted	9359797043	9359797043	9359797043	9359797043	9359797043	9359797043	
7	Connector Cover (Panel, Top)	9358011010	9358011010	9358011010	9358011010	9358011010	9358011010	
9	Cabinet-B, Painted	9361323025	9361323025	9361323025	9361323025	9361323025	9361323025	
12	Base Assy, Painted	9359813019	9359813019	9359813019	9359813019	9359813019	9359813019	
13-1	Packed Valve (5/8)	9365096000	9365096000	9365096000	9365096000	9365096000	9365096000	
13-2	Packed Valve (3/8)	9360150004	9360150004	9360150004	9360150004	9360150004	9360150004	
15	Dryer Assy	9368111014	9368111014	9368111014	9368111014	9368111014	9368111014	
16	Condenser Assy	9365134009	9365134009	9365134009	9365438008	9365438008	9365438008	
18	Suction Pipe-A	9365095003	9365095003	9365095003	9371297033	9371297033	9371297033	
20	Discharge Pipe	9365130001	9365130001	9365130001	9371590011	9371590011	9371590011	
21	Discharge Pipe-B	—	—	—	9371591018	9371591018	9371591018	
26	Compressor Cover-A	9365154007	9365154007	9365154007	9365154007	9365154007	9365154007	
29	Separate Wall	9359805014	9359805014	9359805014	9359805014	9359805014	9359805014	
32	Control Box Assy	—	—	9365086001	9365086001	9365086001	9365086001	
32	Control Box Metal	9361409026	9361409026	—	—	—	—	
34	Capacitor (Fan Motor)	9357965024	9357965024	9703306051	9703306051	9703306051	9703306051	
37	Running Capacitor	9703107122	9703107122	9703107122	9703107122	9703107122	9703107122	
38	Capacitor Clamp Metal	9351770013	9351770013	9364996011	9365088005	9365088005	9364996011	
39	Propeller Fan	9359837015	9359837015	9359837015	9359837015	9359837015	9359837015	
41	Fan Motor Assy-Out	9600832011	9600832011	9600832011	9600832011	9600832011	9600832011	
45-1	Motor Bracket	9369627002	9369627002	9369627002	9369627002	9369627002	9369627002	
45-2	Motor Bracket-B	9371439013	9371439013	9371439013	9371439013	9371439013	9371439013	
45-3	Motor Bracket-C	9369629006	9369629006	9369629006	9369629006	9369629006	9369629006	
45-4	Motor Bracket-D	9369630002	9369630002	9369630002	9369630002	9369630002	9369630002	
46	Compressor Assy	9371447018	9371447018	9371447018	9371447018	9371447018	9371447018	
47-1	Rubber (Discha. Pipe)	313194159807	313194159807	313194159807	313194159807	313194159807	313194159807	
51	Special Nut M5 (For Comp.)	9300301015	9300301015	9300301015	9300301015	9300301015	9300301015	
55	Special Nut M8 (For Comp.)	9355091008	9355091008	9355091008	9355091008	9355091008	9355091008	
64	Cabinet-Left, Painted	9359840046	9359840046	9359840046	9359840046	9359840046	9359840046	
69-3	Bolt, Hex. Socket	301210060360	301210060360	301210060360	301210060360	301210060360	301210060360	
79	Soft Starter	—	—	9704690012	—	—	9704690012	
84	Valve Cover	9361325012	9361325012	9361325012	9361325012	9361325012	9361325012	
85	Valve Fixing Plate	9361324015	9361324015	9361324015	9361324015	9361324015	9361324015	
107	Rubber Seat-A (For Comp.)	9351049010	9351049010	9351049010	9351049010	9351049010	9351049010	
109	Terminal Cover (For Comp.)	9371511016	9371511016	9371511016	9371511016	9371511016	9371511016	
117-3	Hexagon Nut (Spring Lock Washer)	301721180114	301721180114	301721180114	301721180114	301721180114	301721180114	
128-1	Rubber (Discharge Pipe) (Counter Weight)	313155086308	313155086308	313155086308	313155086308	313155086308	313155086308	
173	Capacitor (Start)	—	—	9703635014	—	—	9703635014	
178-2	Capillary Holder Rubber	—	—	—	313394274808	313394274808	313394274808	
187	Clamp No. 1219	313361271706	313361271706	313361271706	313361271706	313361271706	313361271706	
210	Relay (MAIN)	—	—	—	9353611017	9353611017	9353611017	
218-3	Power Relay	9900074012	9900074012	9900074012	—	—	—	
233	Power Transformer	—	—	—	9900039011	9900039011	9900039011	
236	Controller PCB Assy	—	—	—	9704299055	9704299055	9704299055	
328	Compressor Plate Assy	9362273060	9362273060	9362273060	9362273060	9362273060	9362273060	
330	Suction Pipe-C	9365136003	9365136003	9365136003	—	—	—	
330-1	Cond. Inlet Pipe Assy	—	—	—	9371299037	9371299037	9371299037	
333	Accumulator	313986117201	313986117201	313986117201	9368391003	9368391003	9368391003	
334-1	Suction Pipe-B	9365135006	9365135006	9365135006	—	—	—	
334-4	Suction Pipe-D	9365254004	9365254004	9365254004	—	—	—	
343	Solenoid Coil	—	—	—	9359616108	9359616108	9359616108	
344	4-Way Valve	—	—	—	9300604017	9300604017	9300604017	
348	Outlet Pipe Assy	9363041019	9363041019	9363041019	—	—	—	
353	Capillary (Cool)	9365133002	9365133002	9365133002	—	—	—	
353	Thermistor (Heat-ex.)	—	—	—	9900043025	9900043025	9900043025	
355	Switch Bracket	313986353607	313986353607	313986353607	—	—	—	
381	Locking Spacer	—	—	—	313209391403	313209391403	313209391403	
412	Terminal Gasket (For Comp.)	9371512013	9371512013	9371512013	9371512013	9371512013	9371512013	
420	Capillary Assy	—	—	—	9371287027	9371287027	9371287027	
477	Bellmouth	9359809012	9359809012	9359809012	9359809012	9359809012	9359809012	
527	Protection Net (Condenser)	9359845010	9359845010	9359845010	9359845010	9359845010	9359845010	

**OUTDOOR UNIT (Continued)**

When you order parts, please make a photocopy of this page and fill the number of the parts in the "Order" column.

Ref. No.	Description	Part No.						Ord. Qty
		AOG25ANAL	AOY25ANAL	AOT25ANAL	AOG25RNAL	AOY25RNAL	AOT25RNAL	
549	Thermostat-Outdoor	9352553004	9352553004	9352553004	—	—	—	
628	Spacer	—	—	—	0600118075	0600118075	0600118075	
629	EMI Filter 2132-1130	—	—	—	0400056119	0400056119	0400056119	
629	EMI Filter 1518-0730	—	—	—	0400056133	0400056133	0400056133	
652-1	Thermostat Holder Pipe	—	—	—	313806262805	313806262805	313806262805	
653-1	Bolt (Fan Motor Fixing)	9385089020	9385089020	9385089020	9385089020	9385089020	9385089020	
678	Bracket (Thermistor)	—	—	—	313557406106	313557406106	313557406106	
734	Cabinet Top Plate, Painted	9359799023	9359799023	9359799023	9359799023	9359799023	9359799023	
744	Clamp (Condenser)	313166374106	313166374106	313166374106	313166374106	313166374106	313166374106	
754	Terminal Gasket Washer (For Comp.)	9351053017	9351053017	9351053017	9351053017	9351053017	9351053017	
788	Thermistor (Discharge)	—	—	—	9900038021	9900038021	9900038021	
790	Belt Heater	—	—	—	9361140165	9361140165	9361140165	
815	Terminal-5P	9356497021	9356497021	9356497021	9356497021	9356497021	9356497021	
817	Thermostat Fixture	9352164019	9352164019	9352164019	—	—	—	
823-2	Fuse Holder	0500063024	0500063024	0500063024	—	—	—	
824-4	Fuse	0600222529	0600222529	0600222529	—	—	—	
867	Accumulator Holder Rubber	9354022010	9354022010	9354022010	9354022010	9354022010	9354022010	
880-2	Network	9701020010	9701020010	9701020010	—	—	—	
983	Thermostat Cover	9358274002	9358274002	9358274002	—	—	—	
989-1	Cord Clamp-A	9359822011	9359822011	9359822011	9359822011	9359822011	9359822011	
989-2	Cord Clamp-B	9359823018	9359823018	9359823018	9359823018	9359823018	9359823018	
A	Inlet Pipe Accumu.-A	—	—	—	9371561011	9371561011	9371561011	
B	Inlet Pipe Accumu.-B	—	—	—	9371563015	9371563015	9371563015	
C	Strainer Sub-Assy	—	—	—	9362350013	9362350013	9362350013	
D	Discharge Pipe B	—	—	—	9371591018	9371591018	9371591018	
E	Joint Pipe Valve	—	—	—	9371296029	9371296029	9371296029	
F	Joint Pipe Valve-B	—	—	—	9371294025	9371294025	9371294025	
G	Muffler	—	—	—	313948083902	313948083902	313948083902	

**OUTDOOR UNIT**

When you order parts, please make a photocopy of this page and fill the number of the parts in the "Order" column.

Ref. No.	Description	Part No.						Ord.
		AOG30AMBH	AOG30AMBL	AOG30RMBL	AOY30AMBH	AOY30AMBL	AOY30RMBL	Qty
2	Fan Cover (Guard)	9371187013	9371187013	9371187013	9371187013	9371187013	9371187013	
4	Emblem-Rear	313791088308	313791088308	313791088308	9359836018	9359836018	9359836018	
5	Cabinet-A, Painted	9359797029	9359797029	9359797029	9359797029	9359797029	9359797029	
9	Cabinet-B, Painted	9359798026	9359798026	9359798026	9359798026	9359798026	9359798026	
12	Base Assy, Painted	9359813019	9359813019	9359813019	9359813019	9359813019	9359813019	
13	3-Way Valve (5/8)	9360157003	9360157003	9360157003	9360157003	9360157003	9360157003	
13-2	Packed Valve (3/8)	9360150004	9360150004	9360150004	9360150004	9360150004	9360150004	
15	Dryer	9368111014	9368111014	9368111014	9368111014	9368111014	9368111014	
16	Condenser Assy	9353455093	9360280015	9369825002	9353455093	9360280015	9369825002	
18	Inlet Pipe (Condenser)	9369048005	9369048005	9370685008	9369048005	9369048005	9370685008	
18-1	Outlet Pipe (Condenser)	9369054006	9369054006	—	9369054006	9369054006	—	
20	Discharge Pipe	9369047008	9369047008	9369067006	9369047008	9369047008	9369067006	
26	Comp. Cover	9371501017	9369093005	9369093005	9371501017	9369093005	9369093005	
29	Separate Wall	9359804017	9359804017	9359804017	9359804017	9359804017	9359804017	
32	Control Box Metal	9359839019	9359839019	9359839019	9359839019	9359839019	9359839019	
34	Capacitor (Fan Motor)	9357965024	9357965024	9704305015	9357965024	9357965024	9704305015	
37	Running Capacitor	9703107023	9703107023	9703107023	9703107023	9703107023	9703107023	
38	Capacitor Clamp	9360610010	9360610010	9360610010	9360610010	9360610010	9360610010	
39	Propeller Fan	9359837015	9359837015	9359837015	9359837015	9359837015	9359837015	
41	Fan Motor Assy-Out (MFB-30DFT)	9600832011	9600832011	9600832011	9600832011	9600832011	9600832011	
45-1	Motor Bracket-A	9369627002	9369627002	9369627002	9369627002	9369627002	9369627002	
45-2	Motor Bracket-B	9369628009	9369628009	9369628009	9369628009	9369628009	9369628009	
45-3	Motor Bracket-C	9369629006	9369629006	9369629006	9369629006	9369629006	9369629006	
45-4	Motor Bracket-D	9369630002	9369630002	9369630002	9369630002	9369630002	9369630002	
46	Compressor Assy	9371505015	9368913007	9368913007	9371505015	9368913007	9368913007	
47-1	Rubber (Discharge Pipe)	313194159807	313194159807	313194159807	313194159807	313194159807	313194159807	
54	Condensing Pipe	9369061004	9369061004	—	9369061004	9369061004	—	
54-1	Condensing Pipe-A	—	—	9370667004	—	—	9370667004	
55	Special Nut M8	9355091008	9355091008	9355091008	9355091008	9355091008	9355091008	
58	Suction Pipe Assy	9369064005	9369064005	9369064005	9369064005	9369064005	9369064005	
64	Cabinet Left, Painted	9359840022	9359840022	9359840022	9359840022	9359840022	9359840022	
81	Strap	—	9362371001	9362371001	—	9362371001	9362371001	
82-1	Check Joint	9360162007	9360162007	9360162007	9360162007	9360162007	9360162007	
83	Check Joint Bracket	9359807018	9359807018	9359807018	9359807018	9359807018	9359807018	
84	Valve Cover	9359817017	9359817017	9359817017	9359817017	9359817017	9359817017	
85	Valve Fixing Plate	9359806011	9359806011	9359806011	9359806011	9359806011	9359806011	
107	Rubber Mount	9362368001	9362368001	9362368001	9362368001	9362368001	9362368001	
109	Terminal Cover	—	9362369008	9362369008	—	9362369008	9362369008	
117-3	Hex. Nut w/Sp. Washer	301721180114	301721180114	301721180114	301721180114	301721180114	301721180114	
187	Clamp No.1219	313361271706	313361271706	313361271706	313361271706	313361271706	313361271706	
218-3	Power Relay	9900074012	9900074012	—	9900074012	9900074012	—	
236	Controller PCB Assy	—	—	9704299024	—	—	9704299024	
263	Accumulator	9385005006	9385005006	9370703009	9385005006	9385005006	9370703009	
328	Comp. Plate Assy	9362273015	9362273015	9362273046	9362273015	9362273015	9362273046	
330-2	Inlet Pipe (Condenser)-B Assy	—	—	9369074004	—	—	9369074004	
343	Solenoid	—	—	9704061027	—	—	9704061027	
344	4-way Valve	—	—	9307556012	—	—	9307556012	
373	Grip	9352157004	9352157004	9352157004	9352157004	9352157004	9352157004	
407	Clamp (Cable) No.1259	313739340109	313739340109	313739340109	313739340109	313739340109	313739340109	
412	Terminal Gasket	—	9362370004	9362370004	—	9362370004	9362370004	
420	Capillary Assy	9369062001	9369062001	9370683004	9369062001	9369062001	9370683004	
450	Discharge Pipe Assy	—	—	9370709001	—	—	9370709001	
451	Transformer	—	—	9900039011	—	—	9900039011	
477	Bell-mouth	9359809012	9359809012	9359809012	9359809012	9359809012	9359809012	
527	Protection Net	9359844013	9359844013	9359844013	9359844013	9359844013	9359844013	
549	Thermostat-Outdoor	9352553004	9352553004	—	9352553004	9352553004	—	
549	Thermistor (Out temp.)	—	—	9900037017	—	—	9900037017	
629	EMI Filter	—	—	0400056119	—	—	0400056119	
653-1	Bolt (Fan Motor Fixing)	0700156014	0700156014	0700156014	0700156014	0700156014	0700156014	
734	Cabinet Top Plate Panel	9359799023	9359799023	9359799023	9359799023	9359799023	9359799023	



**OUTDOOR UNIT (Continued)**

When you order parts, please make a photocopy of this page and fill the number of the parts in the "Order" column.

Ref. No.	Description	Part No.						Ord.
		AOG30AMBH	AOG30AMBL	AOG30RMBL	AOY30AMBH	AOY30AMBL	AOY30RMBL	Q'ty
735	Distributor Assy	—	—	9370684001	—	—	9370684001	
744	Clamp (Condenser)	313166374106	313166374106	313166374106	313166374106	313166374106	313166374106	
772	Joint Pipe-A	—	9369060007	9369084003	—	9369060007	9369084003	
772-3	Joint Pipe (Valve)	—	—	9369082009	—	—	9369082009	
772-4	Joint Pipe (Valve)-B	—	—	9369083006	—	—	9369083006	
808	Inlet Pipe (Accumulator)	9370666007	9370666007	9370742008	9370666007	9370666007	9370742008	
815-3	Terminal-8P	9358660119	9358660119	9358660119	9358660119	9358660119	9358660119	
817	Thermostat Fixture	9352164019	9352164019	—	9352164019	9352164019	—	
823-2	Fuse Holder	0500063024	0500063024	—	0500063024	0500063024	—	
824-4	Fuse	0600222529	0600222529	—	0600222529	0600222529	—	
846	Relay	—	—	9357058009	—	—	9357058009	
867	Accumulator Holder Rubber	9354022010	9354022010	9354022010	9354022010	9354022010	9354022010	
891	Thermistor (Discharge)	—	—	9900038014	—	—	9900038014	
910	Strainer-B	—	—	9365099018	—	—	9365099018	
983	Thermostat Cover	9358274002	9358274002	—	9358274002	9358274002	—	
989-1	Cord Clamp-A	9359822011	9359822011	9359822011	9359822011	9359822011	9359822011	
989-2	Cord Clamp-B	9359823018	9359823018	9359823018	9359823018	9359823018	9359823018	
A	Terminal Cover	9371513010	—	—	9371513010	—	—	
B	Packing	9371514017	—	—	9371514017	—	—	
C	Thermal Switch	9371516011	—	—	9371516011	—	—	
D	Holder	9371554013	—	—	9371554013	—	—	
E	Flange Nut	9371515014	—	—	9371515014	—	—	
F	Rubber Washer	9371992013	—	—	9371992013	—	—	
G	Joint Pipe-A Assy	9371502014	—	—	9371502014	—	—	
H	Thermistor (Heat Exchanger)	—	—	9900043025	—	—	9900043025	
J	Muffler	—	—	9370704006	—	—	9370704006	

**OUTDOOR UNIT**

When you order parts, please make a photocopy of this page and fill the number of the parts in the "Order" column.

Ref. No.	Description	Part No.		Ord. Q'ty	Ref. No.	Description	Part No.		Ord. Q'ty
		AOT30AMBL	AOT30RMCL				AOT30AMBL	AOT30RMCL	
2	Fan Cover (Guard)	9371187013	9371187013		173	Capacitor (Start)	9703635014	9703635014	
4	Emblem-Rear "FUJITSU"	9359836018	9359836018		187	Clamp. No.1219	313361271706	313361271706	
5	Cabinet-A, Painted	9359797029	9359797029		218-3	Power Relay	9900074012	—	
9	Cabinet-B, Painted	9359798026	9359798026		236	Controller PCB Assy	—	9704299024	
12	Base Assy, Painted	9359813019	9359813019		263	Accumulator	9385005006	9370703009	
13	3-Way Valve (5/8)	9360157003	9370705003		328	Comp. Plate Assy	9362273015	9362273046	
13-2	Packed Valve (3/8)	9360150004	9360150004		330-2	Inlet Pipe (Condenser)-B Assy	—	9369074004	
15	Dryer	9368111014	9368111014		343	Solenoid	—	9704061027	
16	Condenser Assy	9360280015	9369825002		344	4-way Valve	—	9307556012	
18	Inlet Pipe (Condenser)	9369048005	9370685008		373	Grip	9352157004	9352157004	
18-1	Outlet Pipe (Condenser)	9369054006	—		407	Clamp (Cable) No.1259	313739340109	313739340109	
20	Discharge Pipe	9369047008	9369067006		412	Terminal Gasket	9362370004	9362370004	
26	Comp. Cover	9369093005	9369093005		420	Capillary Assy	9369062001	9370683004	
29	Separate Wall	9359804017	9359804017		450	Discharge Pipe Assy	—	9370709001	
32	Control Box Metal	9359839019	9359839019		451	Transformer	—	9900039011	
34	Capacitor (Fan Motor)	9357965024	9704305015		477	Bell-mouth	9359809012	9359809012	
37	Running Capacitor	9703107023	9703107023		527	Protection Net	9359844013	9359844013	
38	Capacitor Clamp	9360610010	9360610010		549	Thermostat-Outdoor	9352553004	—	
38-1	Capacitor Clamp	313791061807	313791061807		549	Thermistor (Out temp)	—	9900037017	
39	Propeller Fan	9359837015	9359837015		629	EMI Filter	—	0400056119	
41	Fan Motor Assy-Out (MFB-30DFT)	9600832011	9600832011		653-1	Bolt (Fan Motor Fixing)	0700156014	0700156014	
45-1	Motor Bracket-A	9369627002	9369627002		734	Cabinet Top Plate Panel	9359799023	9359799023	
45-2	Motor Bracket-B	9369628009	9369628009		735	Distributor Assy	—	9370684001	
45-3	Motor Bracket-C	9369629006	9369629006		744	Clamp (Condenser)	313166374106	313166374106	
45-4	Motor Bracket-D	9369630002	9369630002		772	Joint Pipe-A	9369060007	9369084003	
46	Compressor Assy	9368913007	9368913007		772-3	Joint Pipe (Valve)	—	9369082009	
47-1	Rubber (Discharge Pipe)	313194159807	313194159807		772-4	Joint Pipe (Valve)-B	—	9369083006	
54	Condensing Pipe	9369061004	—		808	Inlet Pipe (Accumulator)	9370666007	9370742008	
54-1	Condensing Pipe-A	—	9370667004		815-3	Terminal-8P	9358660119	9358660119	
55	Special Nut M8	9355091008	9355091008		817	Thermostat Fixture	9352164019	—	
58	Suction Pipe Assy	9369064005	9369064005		823-2	Fuse Holder	0500063024	—	
64	Cabinet Left, Painted	9359840022	9359840022		824-4	Fuse	0600222529	—	
79	Soft Starter	9704691019	9704691019		846	Relay	—	9357058009	
81	Strap	9362371001	9362371001		867	Accumulator Holder Rubber	9354022010	9354022010	
82-1	Check Joint	9360162007	9360162007		891	Thermistor (Discharge)	—	9900038014	
83	Check Joint Bracket	9359807018	9359807018		910	Strainer-B	—	9365099018	
84	Valve Cover	9359817017	9359817017		983	Thermostat Cover	9358274002	—	
85	Valve Fixing Plate	9359806011	9359806011		989-1	Cord Clamp-A	9359822011	9359822011	
107	Rubber Mount	9362368001	9362368001		989-2	Cord Clamp-B	9359823018	9359823018	
109	Terminal Cover	9362369008	9362369008		H	Thermistor (Heat Exchanger)	—	9900043025	
117-3	Hex. Nut w/Sp. Washer	301721180114	301721180114		J	Muffler	—	9370704006	

**INDOOR UNIT**

When you order parts, please make a photocopy of this page and fill the number of the parts in the "Order" column.

Ref. No.	Description	Part No.						Ord. Q'ty
		AUG25ALD-W	AUJ25ALD-W	AUT25ALD-W	AUG30ALD-W	AUJ30ALD-W	AUT30ALD-W	
34	Capacitor (Fan Motor)	9703306068	9703306068	9703306068	9703306068	9703306068	9703306068	
61	Decoration Plate	9363131000	9362787000	9362787000	9363131000	9362787000	9362787000	
71	Grille Hook Holder	9362782005	9362782005	9362782005	9362782005	9362782005	9362782005	
93	Filter	9362766005	9362766005	9362766005	9362766005	9362766005	9362766005	
117-3	Hex. Nut w/Spring Washer	301721180114	301721180114	301721180114	301721180114	301721180114	301721180114	
122	Louver Support Holder	9362799003	9362799003	9362799003	9362799003	9362799003	9362799003	
127	Drain Hose	9365074008	9365074008	9365074008	9365074008	9365074008	9365074008	
138	Separate Wall	9362793001	9362793001	9362793001	9362793001	9362793001	9362793001	
143-1	Clamp NK-3N	313361274700	313361274700	313361274700	313361274700	313361274700	313361274700	
143-3	Clamp NK-6N	9305657001	9305657001	9305657001	9305657001	9305657001	9305657001	
146-1	Evaporator-A Assy	9368196004	9368196004	9368196004	9369827006	9369827006	9369827006	
146-2	Evaporator-B Assy	9368197001	9368197001	9368197001	9369828003	9369828003	9369828003	
155	Special Nut M6	9307615016	9307615016	9307615016	9307615016	9307615016	9307615016	
160	Drain Pan Assy	9362804004	9362804004	9362804004	9362804004	9362804004	9362804004	
164	Fan Motor Assy-In	9601558019	9601558019	9601558019	9601558019	9601558019	9601558019	
168	Cabinet-E	9362735001	9362735001	9362735001	9362735001	9362735001	9362735001	
184-1	Thermostat Spring-A	313728262708	313728262708	313728262708	313728262708	313728262708	313728262708	
187	Clamp No.1219	313361271706	313361271706	313361271706	313361271706	313361271706	313361271706	
195	Clamp SKB-100	313361275805	313361275805	313361275805	313361275805	313361275805	313361275805	
197	Wind Guide Board	9363117004	9363117004	9363117004	9363117004	9363117004	9363117004	
223	Control Box	9362762007	9362762007	9362762007	9362762007	9362762007	9362762007	
226	Motor Gear	9362764001	9362764001	9362764001	9362764001	9362764001	9362764001	
234	Thermistor Assy-Room	9703299025	9703299025	9703299025	9703299025	9703299025	9703299025	
235	Thermistor Assy-Pipe	9703297014	9703297014	9703297014	9703297014	9703297014	9703297014	
236	Controller PCB Assy	9704557339	9704557339	9704557339	9704557292	9704557292	9704557292	
240	Remote Control Unit	9703173028	9703173028	9703173042	9703173028	9703173028	9703173042	
244	Pipe Cover	9362748001	9362748001	9362748001	9362748001	9362748001	9362748001	
245	Cable Clamp	313714181904	313714181904	313714181904	313714181904	313714181904	313714181904	
329	Coupling Pipe Assy	9362763004	9362763004	9362763004	9362763004	9362763004	9362763004	
337-1	Reinforcement (Eva.)-A	9362749008	9362749008	9362749008	9362749008	9362749008	9362749008	
337-2	Reinforcement (Eva.)-B	9362750004	9362750004	9362750004	9362750004	9362750004	9362750004	
338	Motor Holder	9362765008	9362765008	9362765008	9362765008	9362765008	9362765008	
381	Locking Spacer	313209391506	313209391506	313209391506	313209391506	313209391506	313209391506	
457	Reinforcement (Drain Pan)	9362757003	9362757003	9362757003	9362757003	9362757003	9362757003	
460-1	Pump Cover-A	9362775007	9362775007	9362775007	9362775007	9362775007	9362775007	
460-2	Pump Cover-B	9362776004	9362776004	9362776004	9362776004	9362776004	9362776004	
462	Top Cover Plate Assy	9362806022	9362806022	9362806022	9362806022	9362806022	9362806022	
464	Cabinet-A Assy	9362807012	9362807012	9362807012	9362807012	9362807012	9362807012	
465	Cabinet-B Assy	9362808019	9362808019	9362808019	9362808019	9362808019	9362808019	
467	Drain Port	9362786003	9362786003	9362786003	9362786003	9362786003	9362786003	
468	Special Nut-A (Large)	313005446653	313005446653	313005446653	313005446653	313005446653	313005446653	
469	Special Nut-B (Small)	313005446759	313005446759	313005446759	313005446759	313005446759	313005446759	
472-1	Grille Reinforcement-A	9362738002	9362738002	9362738002	9362738002	9362738002	9362738002	
472-2	Grille Reinforcement-B	9362739009	9362739009	9362739009	9362739009	9362739009	9362739009	
472-3	Grille Reinforcement-C	9362740005	9362740005	9362740005	9362740005	9362740005	9362740005	
472-4	Grille Reinforcement-D	9362741002	9362741002	9362741002	9362741002	9362741002	9362741002	
472-5	Grille Reinforcement-E	9362742009	9362742009	9362742009	9362742009	9362742009	9362742009	
474	Turbo Fan Assy	9362810012	9362810012	9362810012	9362810012	9362810012	9362810012	
476-2	Special Washer	9362756006	9362756006	9362756006	9362756006	9362756006	9362756006	
477	Bellmouth (B)	9362774000	9362774000	9362774000	9362774000	9362774000	9362774000	
479	Float Switch	9703285004	9703285004	9703285004	9703285004	9703285004	9703285004	
481	Insulation (Grille)-A	9362780001	9362780001	9362780001	9362780001	9362780001	9362780001	
481-1	Insulation (Grille)-B	9362781008	9362781008	9362781008	9362781008	9362781008	9362781008	
482	Pump Unit	9703125010	9703125010	9703125010	9703125010	9703125010	9703125010	
484	Hook	9362736008	9362736008	9362736008	9362736008	9362736008	9362736008	
487	Grille Hinge Wire	9362754002	9362754002	9362754002	9362754002	9362754002	9362754002	
488	Drain Pan Plug	313005174654	313005174654	313005174654	313005174654	313005174654	313005174654	
514	Control Box Cover	9362763004	9362763004	9362763004	9362763004	9362763004	9362763004	
522	Joint Gear	9362772006	9362772006	9362772006	9362772006	9362772006	9362772006	
541	Terminal Plate	9363642001	9363642001	9363642001	9363642001	9363642001	9363642001	

**INDOOR UNIT (Continued)**

When you order parts, please make a photocopy of this page and fill the number of the parts in the "Order" column.

Ref. No.	Description	Part No.						Ord. Q'ty
		AUG25ALD-W	AUY25ALD-W	AUT25ALD-W	AUG30ALD-W	AUY30ALD-W	AUT30ALD-W	
542	Panel Base	9362759014	9362759014	9362759014	9362759014	9362759014	9362759014	
543	Panel Frame Holder	9362761017	9362761017	9362761017	9362761017	9362761017	9362761017	
544	Panel Base Holder	9362760010	9362760010	9362760010	9362760010	9362760010	9362760010	
545	Panel Frame	9362758017	9362758017	9362758017	9362758017	9362758017	9362758017	
563	Insulation (Inner Box)	9362797009	9362797009	9362797009	9362797009	9362797009	9362797009	
565	Evaporator Holder Assy	9362802024	9362802024	9362802024	9362802024	9362802024	9362802024	
628	Locking Spacer-B	313005446558	313005446558	313005446558	313005446558	313005446558	313005446558	
629	EMI Filter	0400247074	0400247074	0400247074	0400247074	0400247074	0400247074	
690	Joint-A	9362773003	9362773003	9362773003	9362773003	9362773003	9362773003	
692	Joint Shaft	9362771009	9362771009	9362771009	9362771009	9362771009	9362771009	
705	Louver	9362769013	9362769013	9362769013	9362769013	9362769013	9362769013	
710	Intake Grille	9362767019	9362767019	9362767019	9362767019	9362767019	9362767019	
735	Distributor Assy	9368198008	9368198008	9368198008	9368198008	9368198008	9368198008	
777-1	Grille Hook-A	9362779012	9362779012	9362779012	9362779012	9362779012	9362779012	
777-2	Grille Hook-B	9362778015	9362778015	9362778015	9362778015	9362778015	9362778015	
798	Pump Hook Bracket	9362753005	9362753005	9362753005	9362753005	9362753005	9362753005	
803	Cabinet-D	9362792004	9362792004	9362792004	9362792004	9362792004	9362792004	
814	Cabinet-C	9362791007	9362791007	9362791007	9362791007	9362791007	9362791007	
815-1	Terminal-3P	9306489069	9306489069	9306489069	9306489069	9306489069	9306489069	
815-2	Terminal-3P	9703345012	9703345012	9703345012	9703345012	9703345012	9703345012	
824-3	Fuse	0600222512	0600222512	0600222512	0600222512	0600222512	0600222512	
834-1	Wire Cover-A	9362789004	9362789004	9362789004	9362789004	9362789004	9362789004	
834-2	Wire Cover-B	9362788007	9362788007	9362788007	9362788007	9362788007	9362788007	
835	Cushion Rubber (Pump)	9362777001	9362777001	9362777001	9362777001	9362777001	9362777001	
847	Louver Supporter	9362770019	9362770019	9362770019	9362770019	9362770019	9362770019	
858	Grille Spring	9362755009	9362755009	9362755009	9362755009	9362755009	9362755009	
875	Filter PCB Assy	9704561107	9704561107	9704561107	9704561107	9704561107	9704561107	
876-2	Step Motor	9360307019	9360307019	9360307019	9360307019	9360307019	9360307019	
903	Rubber (Vibration-proof) A	9364891002	9364891002	9364891002	9364891002	9364891002	9364891002	
904	Rubber (Vibration-proof) B	9364892009	9364892009	9364892009	9364892009	9364892009	9364892009	
982-1	Cord Clamp	9356857009	9356857009	9356857009	9356857009	9356857009	9356857009	
998	Bypass Pipe-A	9368207007	9368207007	9368207007	9368207007	9368207007	9368207007	
999	Bypass Pipe-B	9368208004	9368208004	9368208004	9368208004	9368208004	9368208004	

**INDOOR UNIT**

When you order parts, please make a photocopy of this page and fill the number of the parts in the "Order" column.

Ref. No.	Description	Part No.						Ord.
		AUG25RLD-W	AU25RLD-W	AUT25RLD-W	AUG30RLD-W	AU30RLD-W	AUT30RLD-W	Q'ty
34	Capacitor (Fan Motor)	9703306068	9703306068	9703306068	9703306068	9703306068	9703306068	
61	Decoration Plate	9363131000	9362787000	9362787000	9363131000	9362787000	9362787000	
71	Grille Hook Holder	9362782005	9362782005	9362782005	9362782005	9362782005	9362782005	
93	Filter	9362766005	9362766005	9362766005	9362766005	9362766005	9362766005	
117-3	Hex. Nut w/Spring Washer	301721180114	301721180114	301721180114	301721180114	301721180114	301721180114	
122	Louver Support Holder	9362799003	9362799003	9362799003	9362799003	9362799003	9362799003	
127	Drain Hose	9365074008	9365074008	9365074008	9365074008	9365074008	9365074008	
138	Separate Wall	9362793001	9362793001	9362793001	9362793001	9362793001	9362793001	
143-1	Clamp NK-3N	313361274700	313361274700	313361274700	313361274700	313361274700	313361274700	
143-3	Clamp NK-6N	9305657001	9305657001	9305657001	9305657001	9305657001	9305657001	
146-1	Evaporator-A Assy	9368196004	9368196004	9368196004	9369827006	9369827006	9369827006	
146-2	Evaporator-B Assy	9368197001	9368197001	9368197001	9369828003	9369828003	9369828003	
155	Special Nut M6	9307615016	9307615016	9307615016	9307615016	9307615016	9307615016	
160	Drain Pan Assy	9362804004	9362804004	9362804004	9362804004	9362804004	9362804004	
164	Fan Motor Assy-In	9601558019	9601558019	9601558019	9601558019	9601558019	9601558019	
168	Cabinet-E	9362735001	9362735001	9362735001	9362735001	9362735001	9362735001	
184-1	Thermostat Spring-A	313728262708	313728262708	313728262708	313728262708	313728262708	313728262708	
187	Clamp No.1219	313361271706	313361271706	313361271706	313361271706	313361271706	313361271706	
195	Clamp SKB-100	313361275805	313361275805	313361275805	313361275805	313361275805	313361275805	
197	Wind Guide Board	9363117004	9363117004	9363117004	9363117004	9363117004	9363117004	
223	Control Box	9362762007	9362762007	9362762007	9362762007	9362762007	9362762007	
226	Motor Gear	9362764001	9362764001	9362764001	9362764001	9362764001	9362764001	
234	Thermistor Assy-Room	9703299025	9703299025	9703299025	9703299025	9703299025	9703299025	
235	Thermistor Assy-Pipe	9703297014	9703297014	9703297014	9703297014	9703297014	9703297014	
236	Controller PCB Assy	9704557193	9704557193	9704557193	9704557193	9704557193	9704557193	
240	Remote Control Unit	9371438016	9371438016	9703173035	9371438016	9371438016	9703173035	
244	Pipe Cover	9362748001	9362748001	9362748001	9362748001	9362748001	9362748001	
245	Cable Clamp	313714181904	313714181904	313714181904	313714181904	313714181904	313714181904	
329	Coupling Pipe Assy	9368204006	9368204006	9368204006	9368204006	9368204006	9368204006	
337-1	Reinforcement (Eva.)-A	9362749008	9362749008	9362749008	9362749008	9362749008	9362749008	
337-2	Reinforcement (Eva.)-B	9362750004	9362750004	9362750004	9362750004	9362750004	9362750004	
338	Motor Holder	9362765008	9362765008	9362765008	9362765008	9362765008	9362765008	
381	Locking Spacer	313209391506	313209391506	313209391506	313209391506	313209391506	313209391506	
457	Reinforcement (Drain Pan)	9362757003	9362757003	9362757003	9362757003	9362757003	9362757003	
460-1	Pump Cover-A	9362775007	9362775007	9362775007	9362775007	9362775007	9362775007	
460-2	Pump Cover-B	9362776004	9362776004	9362776004	9362776004	9362776004	9362776004	
462	Top Cover Plate Assy	9362806022	9362806022	9362806022	9362806022	9362806022	9362806022	
464	Cabinet-A Assy	9362807012	9362807012	9362807012	9362807012	9362807012	9362807012	
465	Cabinet-B Assy	9362808019	9362808019	9362808019	9362808019	9362808019	9362808019	
467	Drain Port	9362786003	9362786003	9362786003	9362786003	9362786003	9362786003	
468	Special Nut-A (Large)	313005446653	313005446653	313005446653	313005446653	313005446653	313005446653	
469	Special Nut-B (Small)	313005446759	313005446759	313005446759	313005446759	313005446759	313005446759	
472-1	Grille Reinforcement-A	9362738002	9362738002	9362738002	9362738002	9362738002	9362738002	
472-2	Grille Reinforcement-B	9362739009	9362739009	9362739009	9362739009	9362739009	9362739009	
472-3	Grille Reinforcement-C	9362740005	9362740005	9362740005	9362740005	9362740005	9362740005	
472-4	Grille Reinforcement-D	9362741002	9362741002	9362741002	9362741002	9362741002	9362741002	
472-5	Grille Reinforcement-E	9362742009	9362742009	9362742009	9362742009	9362742009	9362742009	
474	Turbo Fan Assy	9362810012	9362810012	9362810012	9362810012	9362810012	9362810012	
476-2	Special Washer	9362756006	9362756006	9362756006	9362756006	9362756006	9362756006	
477	Bellmouth (B)	9362774000	9362774000	9362774000	9362774000	9362774000	9362774000	
479	Float Switch	9703285004	9703285004	9703285004	9703285004	9703285004	9703285004	
481	Insulation (Grille)-A	9362780001	9362780001	9362780001	9362780001	9362780001	9362780001	
481-1	Insulation (Grille)-B	9362781008	9362781008	9362781008	9362781008	9362781008	9362781008	
482	Pump Unit	9703125010	9703125010	9703125010	9703125010	9703125010	9703125010	
484	Hook	9362736008	9362736008	9362736008	9362736008	9362736008	9362736008	
487	Grille Hinge Wire	9362754002	9362754002	9362754002	9362754002	9362754002	9362754002	
488	Drain Pan Plug	313005174654	313005174654	313005174654	313005174654	313005174654	313005174654	
514	Control Box Cover	9362763004	9362763004	9362763004	9362763004	9362763004	9362763004	
522	Joint Gear	9362772006	9362772006	9362772006	9362772006	9362772006	9362772006	
541	Terminal Plate	9363642001	9363642001	9363642001	9363642001	9363642001	9363642001	

**INDOOR UNIT (Continued)**

When you order parts, please make a photocopy of this page and fill the number of the parts in the "Order" column.

Ref. No.	Description	Part No.						Ord.
		AUG25RLD-W	AU25RLD-W	AUT25RLD-W	AUG30RLD-W	AU30RLD-W	AUT30RLD-W	Q'ty
542	Panel Base	9362759014	9362759014	9362759014	9362759014	9362759014	9362759014	
543	Panel Frame Holder	9362761017	9362761017	9362761017	9362761017	9362761017	9362761017	
544	Panel Base Holder	9362760010	9362760010	9362760010	9362760010	9362760010	9362760010	
545	Panel Frame	9362758017	9362758017	9362758017	9362758017	9362758017	9362758017	
563	Insulation (Inner Box)	9362797009	9362797009	9362797009	9362797009	9362797009	9362797009	
565	Evaporator Holder Assy	9362802024	9362802024	9362802024	9362802024	9362802024	9362802024	
628	Locking Spacer-B	313005446558	313005446558	313005446558	313005446558	313005446558	313005446558	
629	EMI Filter	0400247074	0400247074	0400247074	0400247074	0400247074	0400247074	
690	Joint-A	9362773003	9362773003	9362773003	9362773003	9362773003	9362773003	
692	Joint Shaft	9362771009	9362771009	9362771009	9362771009	9362771009	9362771009	
705	Louver	9362769013	9362769013	9362769013	9362769013	9362769013	9362769013	
710	Intake Grille	9362767019	9362767019	9362767019	9362767019	9362767019	9362767019	
735	Distributor Assy	9368198008	9368198008	9368198008	9368198008	9368198008	9368198008	
777-1	Grille Hook-A	9362779012	9362779012	9362779012	9362779012	9362779012	9362779012	
777-2	Grille Hook-B	9362778015	9362778015	9362778015	9362778015	9362778015	9362778015	
798	Pump Hook Bracket	9362753005	9362753005	9362753005	9362753005	9362753005	9362753005	
803	Cabinet-D	9362792004	9362792004	9362792004	9362792004	9362792004	9362792004	
814	Cabinet-C	9362791007	9362791007	9362791007	9362791007	9362791007	9362791007	
815-1	Terminal-3P	9306489069	9306489069	9306489069	9306489069	9306489069	9306489069	
815-2	Terminal-3P	9703345012	9703345012	9703345012	9703345012	9703345012	9703345012	
824-3	Fuse	0600222512	0600222512	0600222512	0600222512	0600222512	0600222512	
834-1	Wire Cover-A	9362789004	9362789004	9362789004	9362789004	9362789004	9362789004	
834-2	Wire Cover-B	9362788007	9362788007	9362788007	9362788007	9362788007	9362788007	
835	Cushion Rubber (Pump)	9362777001	9362777001	9362777001	9362777001	9362777001	9362777001	
847	Louver Supporter	9362770019	9362770019	9362770019	9362770019	9362770019	9362770019	
858	Grille Spring	9362755009	9362755009	9362755009	9362755009	9362755009	9362755009	
875	Filter PCB Assy	9704561091	9704561091	9704561091	9704561091	9704561091	9704561091	
876-2	Step Motor	9360307019	9360307019	9360307019	9360307019	9360307019	9360307019	
903	Rubber (Vibration-proof) A	9364891002	9364891002	9364891002	9364891002	9364891002	9364891002	
904	Rubber (Vibration-proof) B	9364892009	9364892009	9364892009	9364892009	9364892009	9364892009	
982-1	Cord Clamp	9356857009	9356857009	9356857009	9356857009	9356857009	9356857009	
998	Bypass Pipe-A	9368207007	9368207007	9368207007	9368207007	9368207007	9368207007	
999	Bypass Pipe-B	9368208004	9368208004	9368208004	9368208004	9368208004	9368208004	

# ERROR CODE

AO\_25RNAL Series Error/Protection LED Indication

	Indication	LED 1	LED 2	Priority
Error Indication	Model Number Error	0.1s ON / 0.1s OFF Blink	0.1s ON / 0.1s OFF Blink	1
	Reverse Phase Wiring Protection Error	1 time Blink	Continuous ON	2
	EEPROM Erase Error	0.1s ON / 0.1s OFF Blink	0.1s ON / 0.1s OFF Blink	3
	EEPROM Access Error	0.1s ON / 0.1s OFF Blink	0.1s ON / 0.1s OFF Blink	4
	Exhaust Temp. Thermistor Error	2 times Blink	Continuous ON	5
	Pipe Temp. Thermistor Error	3 times Blink	Continuous ON	6
	Outdoor Temp. Thermistor Error	4 times Blink	Continuous ON	7
	Serial Communication Error	5 times Blink	Continuous ON	8
	Indoor Unit Error	6 times Blink	Continuous ON	9
	Exhaust Temp. Error	7 times Blink	Continuous ON	10
	High Pressure SW Error (at Start up)	8 times Blink	Continuous ON	11
	High Pressure Error	8 times Blink	Continuous ON	12
Protection Indication	Overload Protection	1 time Blink	Continuous OFF	13
	Icing Protection	2 times Blink	Continuous OFF	14
	Defrosting	3 times Blink	Continuous OFF	15
	Exhaust Temp Protection (24 hours)	4 times Blink	Continuous OFF	16
	High Pressure Protection (24 hours)	5 times Blink	Continuous OFF	17

Note : If multiple errors are occurred, higher priority error will be indicated.

